

MaxLite® LED Outdoor Fixture



General Safety Information

- To reduce the risk of death, personal injury or property damage from fire, electric shock, falling parts, cuts/abrasions, and other hazards read all warnings and instructions included with and on the fixture box and all fixture labels.
- Before installing, servicing, or performing routine maintenance upon this equipment, follow these general precautions.
- Commercial installation, service and maintenance of luminaires should be performed by a qualified licensed electrician.
- For Residential installation: If you are unsure about the installation or maintenance of the luminaires, consult a qualified licensed electrician and check your local electrical code.
- **DO NOT INSTALL DAMAGED PRODUCT!**
- This fixture is intended to be connected to a properly installed and grounded UL listed junction box.

WARNING: RISK OF ELECTRICALSHOCK

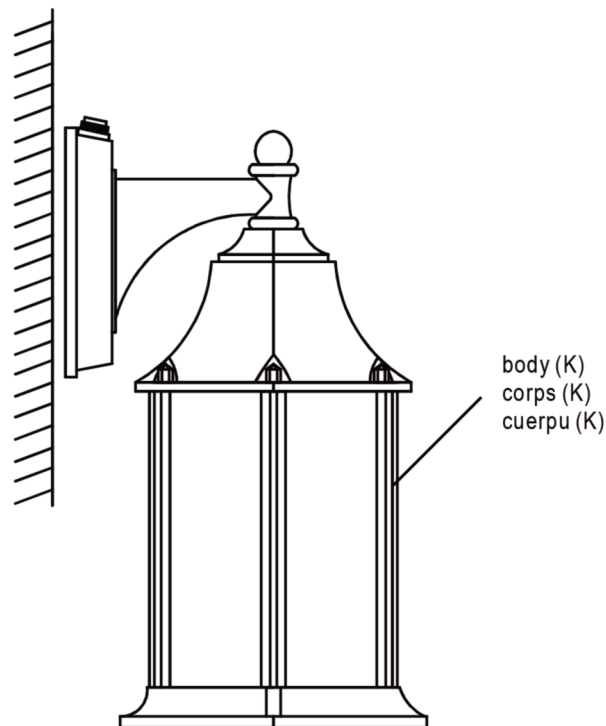
- Turn off the power when you perform any maintenance.
- Verify that supply voltage is correct by comparing it with the luminaire label information.
- Make all electrical and grounded connections in accordance with the National Electrical Code and any applicable local code requirements.
- All wiring connections should be capped with UL approved wire connectors.

CAUTION: RISK OF INJURY

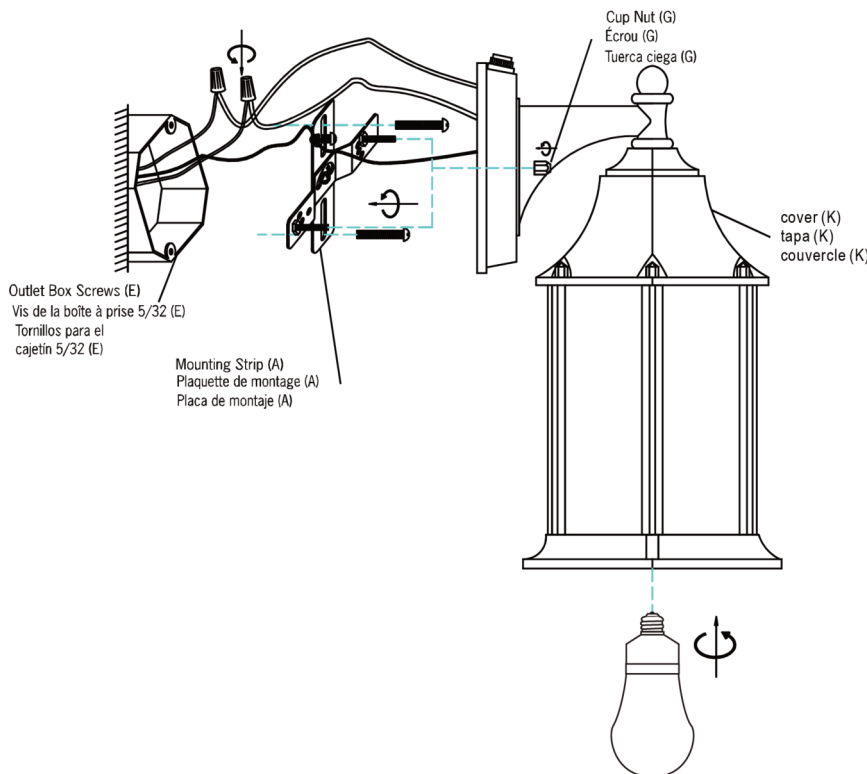
- Wear gloves and safety glasses at all times when removing luminaire from carton, installing, servicing or performing maintenance.
- Avoid direct eye exposure to the light source while it is on.
- Account for small parts and destroy packing material, as these may be hazardous to children.

Model Numbers:

- ML4LE171RLBK27 (Black)
- ML4LE171RLWH27 (White)



Picture is for illustration purposes only.
Your model may vary.



MaxLite® LED Outdoor Fixture

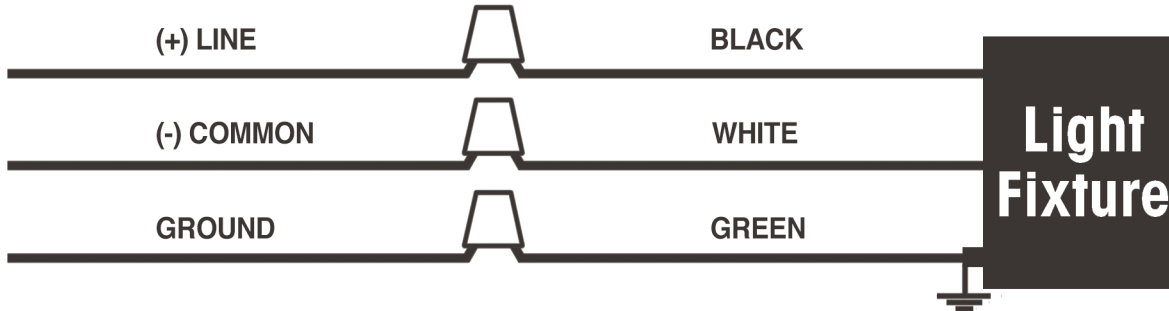


General Wiring Diagrams

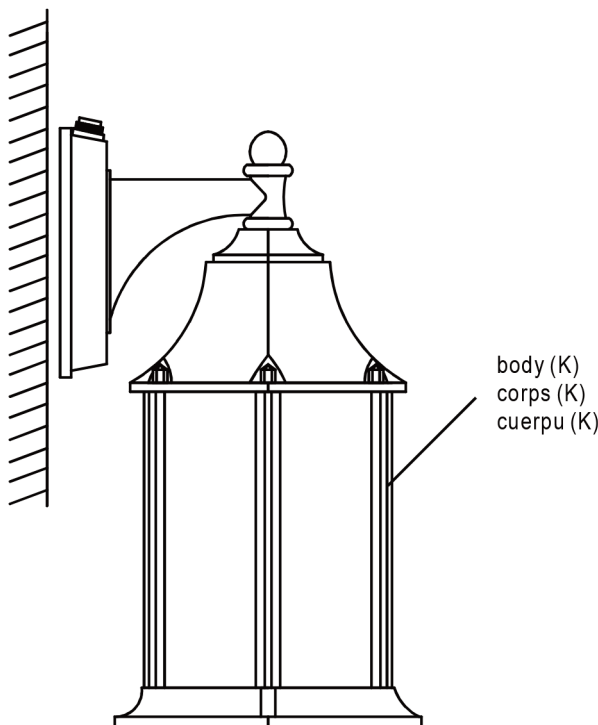
CAUTION: Turn off electrical power at fuse or circuit breaker box before wiring fixture to the power supply.

Wiring:

- 1.) Connect the black fixture wire to the (+) LINE supply wire.
- 2.) Connect the white fixture wire to the (-) COMMON supply wire.
- 3.) Connect the green fixture wire to supply ground wire.



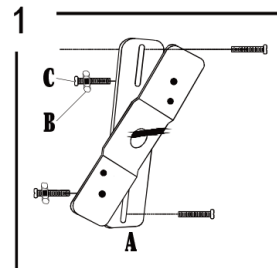
Mounting Instructions



1. Fix the support screws(C) with hex nuts(B) onto the mounting strip(A).

1. Ponga los niple(C) con las tuercas(B) sobre la barra de montaje(A).

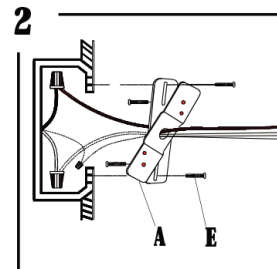
1. Fixez la tige (C) avec l'écrou hexagonal (B) sur la bandelette de support (A)



2. Attach mounting strip(A) to junction box using outlet box screws(E).

2. Conecte la barra de montaje(A) a la caja de salida usando los tornillos de montaje(E).

2. Fixez la bandelette de support (A) à la boîte à bornes en utilisant les vis de la boîte de sortie (E).

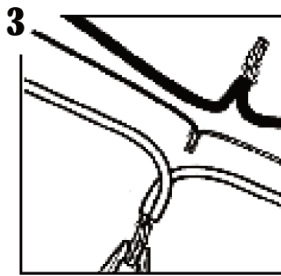


MaxLite® LED Outdoor Fixture



Mounting Instructions

3. Strip 1/2" of insulation from wire ends. Twist stripped ends together with pliers black to black (power) and white to white (neutral). Attach copper wire to ground wire.



Helpful hint: If necessary, attach copper ground wire to grounded junction box.

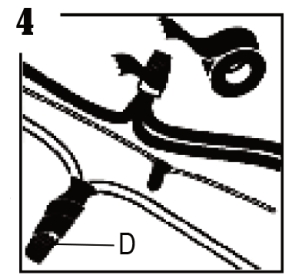
3. Dénuder 1.3 cm (1/2 po) d'isolant des extrémités du fil. Attacher les extrémités dénudées ensemble avec des pinces noir à noir (courant) et blanc à blanc (neutre). Attacher le fil en cuivre au fil à la terre.

3. Pele 1.3 cm del aislamiento en el extremo de los cables. Retuerza juntos los extremos pelados con las pinzas negro a negro (activo) y blanco a blanco (neutral). Fije el cable de cobre al cable de tierra.

Conseil utile: Si nécessaire, attacher le fil de terre en cuivre à la boîte de connexion à la terre.

Consejo útil: Si fuese necesario, fije el cable de cobre de conexión a tierra a la caja terminal conectada a tierra.

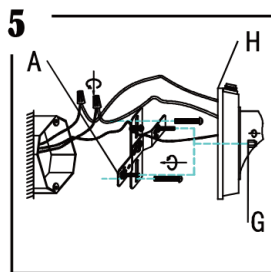
4. Attach wire nuts (D). Tape nuts (D) and wires together with electrical tape.



4. Attacher les capuchons de connexion (D). Attacher les capuchons (D) et les fil ensemble avec du ruban isolant.

4. Coloque los empalmes plásticos (D). Enciente los empalmes (D) y los alambres juntos con cinta aislante.

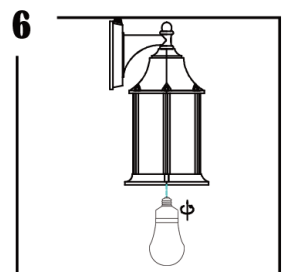
5. Attach the fixture to the surface by aligning the nipples that protrude from the mounting strip (A) to the holes in the wall plate (H). Screw the cap nuts (G) onto the protruding nipples until the fixture is held firmly to the surface.



5. Attacher le luminaire à la surface en alignant le raccord sortant de la plaque de montage (A) sur le trou de la plaque de paroi (H). Visser le capuchon (G) sur le raccord protubérant jusqu'à ce que le luminaire soit fermement attaché à la surface.

5. Fije la làmpara al superficie alineando las uniones que sobresalen de la placa de montaje (A) al agujero en la placa del pared (H). Atornille la tuerca ciega (G) en la unión que sobresale hasta que la làmpara esté firmemente sostenida al superficie.

6. Install light bulbs. Use only bulbs of the specified type and maximum rated wattage or less.



6. Installer les ampoules. N'utiliser que les ampoules du type spécifié et ne dépassant pas le wattage spécifié.

6. Coloque las bombillas. Use solo bombillas del tipo y vataje especificado o de un vataje inferior.

MaxLite® LED Outdoor Fixture**Warranty Information**

MaxLite Inc. warrants its products for a minimum period of **FIVE (5)** years from the date of original purchase from MaxLite or its authorized distributor/dealer (the "Warranty Period"), as follows: If a Product fails to operate during the Warranty Period as a result of defects in materials or workmanship, MaxLite will, at its option, repair it, replace it with the same or like Product.

Please refer to Maxlite's website (at <http://maxlite.com/resources/warranties>) for the complete terms and conditions of our warranty.

Limitation of Liability

THE FOREGOING WARRANTY IS EXCLUSIVE, AND IS THE SOLE REMEDY FOR ANY AND ALL CLAIMS, WHETHER IN CONTRACT, IN TORT OR OTHERWISE ARISING FROM THE FAILURE OF PRODUCT AND IS IN LIEU OF ALL OTHER WARRANTIES, EXPRESS OR IMPLIED, INCLUDING ALL WARRANTIES OF MERCHANTABILITY OR FITNESS FOR A PARTICULAR PURPOSE, WHICH WARRANTIES ARE HEREBY EXPRESSLY DISCLAIMED TO THE EXTENT PERMITTED BY LAW AND, IN ANY EVENT, SHALL BE LIMITED TO THE WARRANTY PERIOD SPECIFIED ABOVE. THE LIABILITY OF MAXLITE SHALL BE LIMITED TO THE TERMS OF THE EXPRESS WARRANTY SET FORTH HEREIN. IN NO EVENT WILL MAXLITE BE LIABLE FOR ANY SPECIAL, INCIDENTAL OR CONSEQUENTIAL DAMAGES INCLUDING, WITHOUT LIMITATION, DAMAGES RESULTING FROM LOSS OF USE, PROFITS, BUSINESS OR GOODWILL, LABOR COSTS, REMOVAL OR INSTALLATION COSTS, DECREASE IN THE LIGHT OUTPUT OF THE LAMP, AND/OR DETERIORATION IN THE LAMP'S PERFORMANCE, WHETHER OR NOT MAXLITE HAS BEEN ADVISED OF THE POSSIBILITY THEREOF. UNDER NO CIRCUMSTANCES SHALL MAXLITE'S ENTIRE LIABILITY FOR A DEFECTIVE PRODUCT EXCEED THE PURCHASE PRICE OF THAT PRODUCT. WARRANTY SERVICES PROVIDED UNDER THESE TERMS AND CONDITIONS DO NOT ENSURE THE UNINTERRUPTED OPERATION OF PRODUCTS; MAXLITE SHALL NOT BE LIABLE FOR DAMAGES CAUSED BY ANY DELAYS INVOLVING WARRANTY SERVICE.

This Limited Warranty gives you specific legal rights and you may also have other rights that may vary from state to state. Because some states or jurisdictions do not allow the exclusion or limitation of liability for consequential or incidental damages, this limitation may not apply to you.