

<b>Model No.</b>	MLEU544HOP/SC
<b>Ballast Type</b>	Electronic
<b>Lamp Operation</b>	Programmed Start
<b>Input Voltage</b>	120-277V
<b>Frequency</b>	50/60Hz

All values given are typical values at 25°C for primary lamps in 120V/60Hz and 277V/60 Hz unless otherwise indicated.

## PERFORMANCE:

- AC Transient Protection: Cat. A3, ANSI/IEEE Standard C62.41
- Performance: ANSI Standard C82.11
- EMI: CFR47, Part 18, FCC Non Consumer (Class A)
- Harmonic: ANSI Standard C82.77
- EOL Protection: Yes
- Potting: Yes
- CEE qualified

## SAFETY:

- UL/CUL Listed

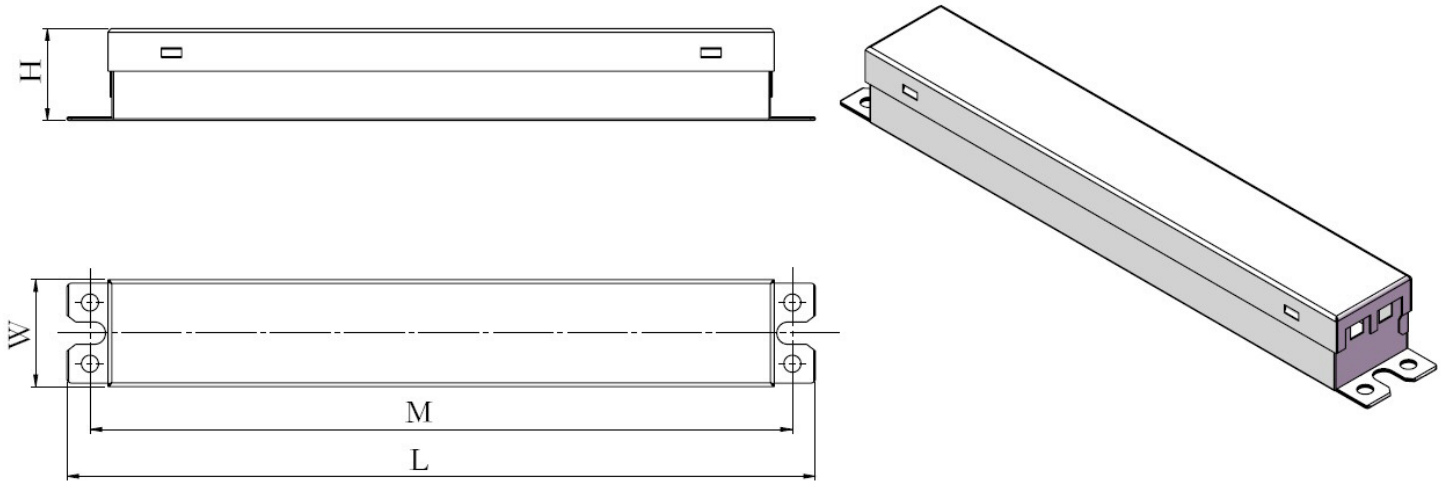
### Electrical Specifications:

Lamp Type	No. of Lamps	Rated Lamp Watts	Min. Start Temp. (°F/°C)	Input Voltage (V)	Input Power (W)	Input Current (A)	Ballast Factor	THD = %	POWER FACTOR =	C.F. =	B.E.F.
F54T5HO	4	54	-20/-30	120	234	1.97	1.00	10	0.99	1.7	0.43
	4	54	-20/-30	277	227	0.84	1.00	10	0.97	1.7	0.44
	3	54	-20/-30	120	175	1.48	1.03	10	0.99	1.7	0.59
	3	54	-20/-30	277	170	0.64	1.03	10	0.97	1.7	0.61
	2	54	-20/-30	120	118	0.98	1.00	10	0.99	1.7	0.85
	2	54	-20/-30	277	115	0.42	1.00	10	0.96	1.7	0.87
FT55W2G11	4	55	-20/-30	120	224	1.88	0.91	10	0.99	1.7	0.40
	4	55	-20/-30	277	220	0.80	0.91	10	0.97	1.7	0.41
	3	55	-20/-30	120	170	1.42	0.93	10	0.99	1.7	0.55
	3	55	-20/-30	277	166	0.61	0.93	10	0.97	1.7	0.56
	2	55	-20/-30	120	112	0.94	0.91	10	0.99	1.7	0.81
	2	55	-20/-30	277	110	0.41	0.91	10	0.96	1.7	0.83
FT50W2G11	4	50	-20/-30	120	226	1.89	1.04	10	0.99	1.7	0.48
	4	50	-20/-30	277	222	0.82	1.04	10	0.98	1.7	0.49
	3	50	-20/-30	120	172	1.44	1.05	10	0.99	1.7	0.64
	3	50	-20/-30	277	167	0.62	1.05	10	0.97	1.7	0.66
	2	50	-20/-30	120	114	0.96	1.06	10	0.99	1.7	0.96
	2	50	-20/-30	277	111	0.41	1.06	10	0.96	1.7	0.98
FT36W2G11	4	36	-20/-30	120	168	1.42	1.04	10	0.99	1.7	0.62
	4	36	-20/-30	277	165	0.65	1.04	10	0.96	1.7	0.63
	3	36	-20/-30	120	128	1.06	1.05	10	0.99	1.7	0.82
	3	36	-20/-30	277	126	0.48	1.05	10	0.97	1.7	0.83
	2	36	-20/-30	120	83	0.68	1.06	10	0.99	1.7	1.28
	2	36	-20/-30	277	82	0.33	1.06	10	0.94	1.7	1.29



Lamp Type	No. of Lamps	Rated Lamp Watts	Min. Start Temp. (°F/°C)	Input Voltage (V)	Input Power (W)	Input Current (A)	Ballast Factor	THD = %	POWER FACTOR =	C.F. =	B.E.F.
F58T8	4	58	-20/-30	120	210	1.77	0.92	10	0.99	1.7	0.43
	4	58	-20/-30	277	207	0.78	0.92	10	0.97	1.7	0.44
	3	58	-20/-30	120	159	1.33	0.95	10	0.99	1.7	0.59
	3	58	-20/-30	277	156	0.58	0.95	10	0.97	1.7	0.61
	2	58	-20/-30	120	105	0.89	0.92	10	0.99	1.7	0.88
	2	58	-20/-30	277	103	0.41	0.92	10	0.95	1.7	0.89
F54T5HO/ES /51W	4	51	-20/-30	120	216	1.82	0.98	10	0.99	1.7	0.45
	4	51	-20/-30	277	212	0.78	0.98	10	0.98	1.7	0.46
	3	51	-20/-30	120	164	1.38	0.99	10	0.99	1.7	0.60
	3	51	-20/-30	277	162	0.59	0.99	10	0.97	1.7	0.61
	2	51	-20/-30	120	108	0.88	1.02	10	0.99	1.7	0.94
	2	51	-20/-30	277	106	0.38	1.02	10	0.97	1.7	0.96
F54T5HO/ES/49W	4	49	-20/-30	120	208	1.76	0.98	10	0.99	1.7	0.47
	4	49	-20/-30	277	204	0.75	0.98	10	0.98	1.7	0.48
	3	49	-20/-30	120	157	1.32	0.99	10	0.99	1.7	0.63
	3	49	-20/-30	277	155	0.56	0.99	10	0.97	1.7	0.64
	2	49	-20/-30	120	104	0.85	1.02	10	0.99	1.7	0.98
	2	49	-20/-30	277	102	0.36	1.02	10	0.96	1.7	1.00
F54T5HO/ES/47W	4	47	-20/-30	120	204	1.42	1.00	10	0.99	1.7	0.49
	4	47	-20/-30	277	200	0.65	1.00	10	0.98	1.7	0.50
	3	47	-20/-30	120	154	1.06	1.01	10	0.99	1.7	0.65
	3	47	-20/-30	277	152	0.48	1.01	10	0.96	1.7	0.66
	2	47	-20/-30	120	102	0.68	1.03	10	0.99	1.7	1.00
	2	47	-20/-30	277	100	0.33	1.03	10	0.96	1.7	1.03
F39T5HO	4	39	-20/-30	120	193	1.62	1.13	10	0.99	1.7	0.59
	4	39	-20/-30	277	189	0.70	1.13	10	0.98	1.7	0.60
	3	39	-20/-30	120	149	1.24	1.15	10	0.99	1.7	0.77
	3	39	-20/-30	277	146	0.54	1.15	10	0.97	1.7	0.79
	2	39	-20/-30	120	97	0.81	1.18	10	0.99	1.7	1.22
	2	39	-20/-30	277	94	0.35	1.18	10	0.95	1.7	1.25

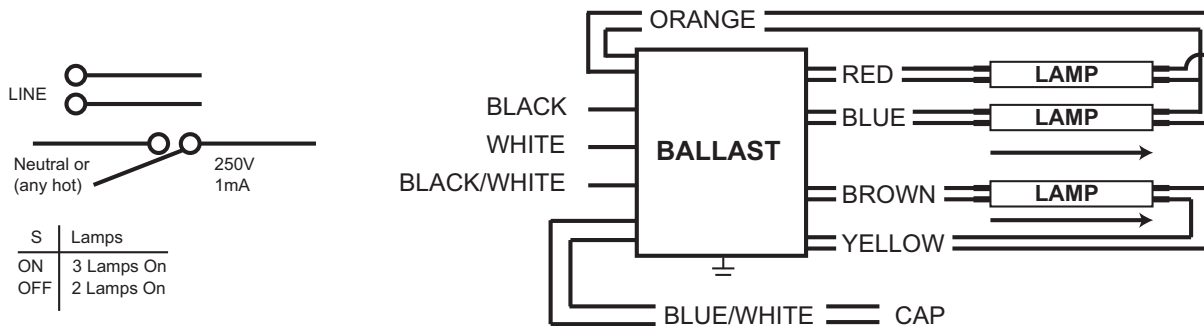
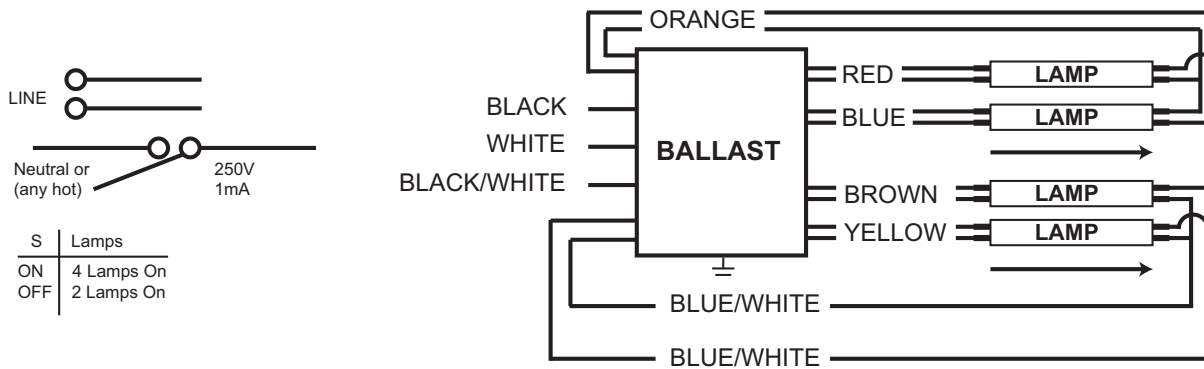
\*Consult lamp manufacturers for applications with Ballast Factor > 1.10



Case	Inches
Length (L)	16.7
Width (W)	1.7
Height (H)	1.18
Mounting (M)	16.3

Lead Length - Wire	Inches (+/-1)
White, Black, Black/White	20
Yellow, Blue/White	49
Blue, Red, Brown, Orange	32

### Wiring Diagram:



MAX14062