

## TYPE IC/AIR-TIGHT RECESSED NEW CONSTRUCTION DOWNLIGHT INSTALLATION INSTRUCTIONS

### WARNING

1. Risk of Fire - Supply conductors (power wires) connecting the fixture must be rated minimum 90°C. If uncertain consult an electrician.
2. Risk of Electric Shock - Disconnect power at fuse or circuit breaker before installing or servicing.
3. Risk of Fire/Electric Shock - If not qualified, consult an electrician.

### CAUTIONS:

1. For your safety read and understand instructions completely before starting installation.
2. These luminaires (fixtures) are designed to meet the latest NEC requirements and are listed in full compliance with UL 1598.
3. Before attempting installation, check your local electrical code, as it sets the wiring standards for your locality.

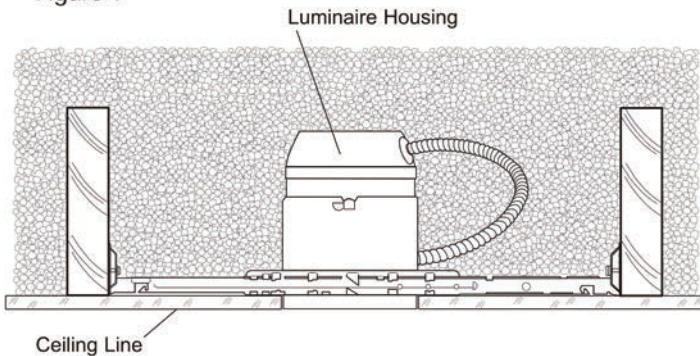
### NOTES:

1. If luminaire (fixture) is to be switched from a wall switch, make sure black power supply wire is connected to the switch. DO NOT connect the white supply wire to the switch.
2. Make certain no bare wires are exposed outside the wire nut connectors.

2. Position fixture between joists at desired location by sliding housing on hanger bars. Once the housing is in the desired location, squeeze tabs into hanger bars to lock luminaire (fixture) into place (Fig 2).
3. Follow steps 1 through 5 under Electrical Connections.
4. Locate center of fixture opening in the ceiling sheetrock and cut a 6-3/8" diameter hole.  
**Note:** Cut a 4-3/8" (for 4" fixtures), 5-3/4" (for 5" fixtures) opening.

### TYPE IC FOR INSULATED CEILINGS

Figure 1

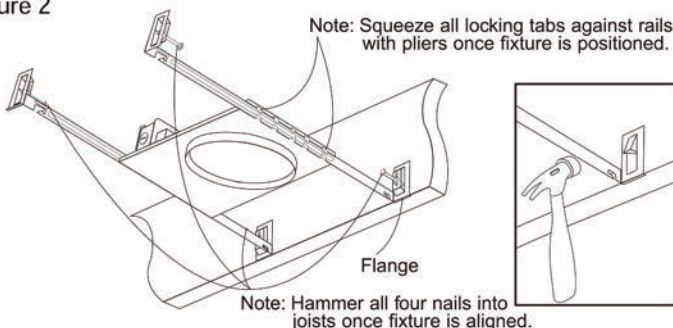


Type IC luminaire (fixture) is designed for installation where it may come in contact with insulation materials which are approved for this application (Fig. 1).

### INSTALLATION IN NEW CONSTRUCTION

1. Extend hanger bars to fit between joists. Align the flange of the hanger bar with the underside of the joists and nail the hanger bar to the joist (Fig. 2). Level the opposite end of the hanger bar and nail it securely to the joist. Repeat the process with the other hanger bar.

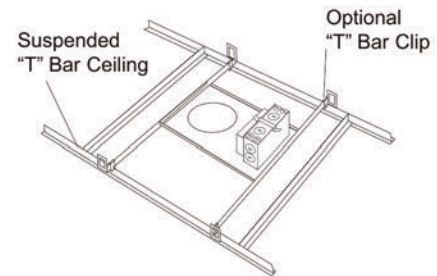
Figure 2



### INSTALLATION IN SUSPENDED CEILINGS

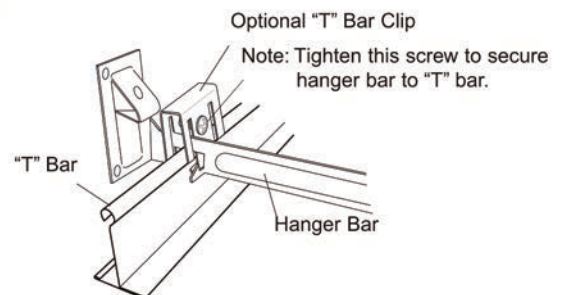
1. Locate fixture proposed fixture center in the ceiling tile and cut a 6-3/8" diameter hole.  
**Note:** Cut a 4-3/8" (for 4" fixtures), 5-3/4" (for 5" fixtures) opening.
2. Place ceiling tile in the T-bar grid.
3. Place fixture into position and snap bar hanger foot with integral T-bar clips onto T-bars (Fig. 3).

Figure 3



4. Secure hanger bars to T-bars and properly support the fixture from the building structure.  
**Note:** Optional T-Bar Clips and screws may be used as local code authority or site conditions require (Fig. 4).
5. To secure luminaire (fixture) position in ceiling, squeeze tabs into hanger bars to lock luminaire (fixture) into place on bars.
6. Follow steps 1 through 5 under "Electrical Connection"

Figure 4



### ELECTRICAL CONNECTION

1. Provide electrical service according to the "National Electrical Code" or your local electrical code to the junction box on the fixture frame.
2. Remove appropriate size knockout on fixture J-box for conduit connector.
3. Remove J-box cover to J-box by pushing up on spring clip. Attach Conduit with connector to J-box and secure (Fig. 7).
4. Connect supply wires to fixture wires and insulate with proper size wire nuts (not provided).
  - a.) Connect incoming ground wire (green or bare) to fixture ground wire (green or bare).
  - b.) Connect incoming common (white) wire to fixture common (white).
  - c.) Connect incoming hot (typically black) wire to fixture black wire.
5. Replace J-box cover.

Figure 7

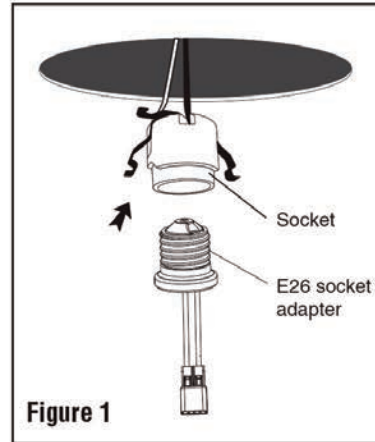
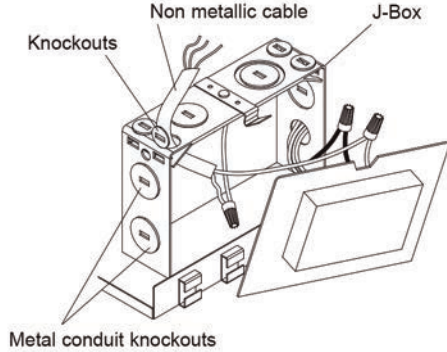


Figure 1

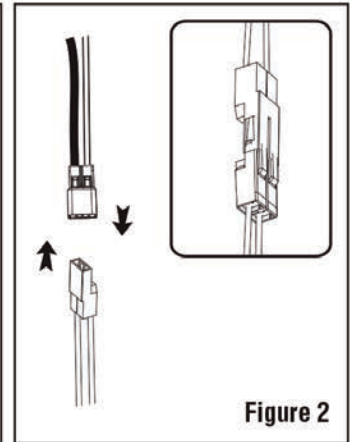


Figure 2

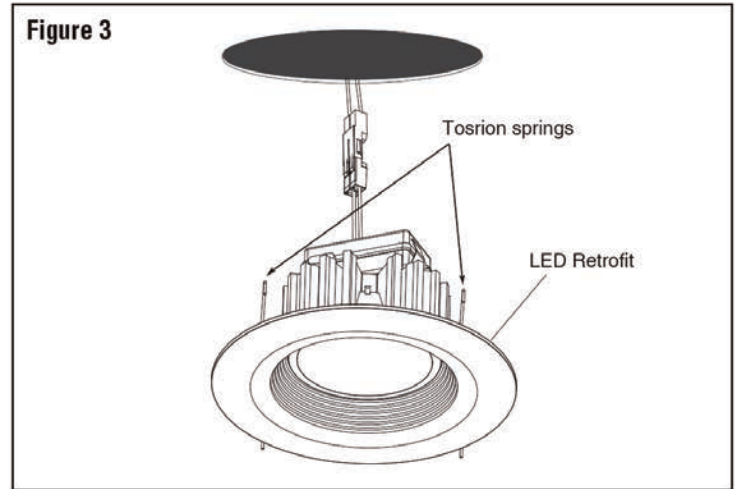


Figure 3

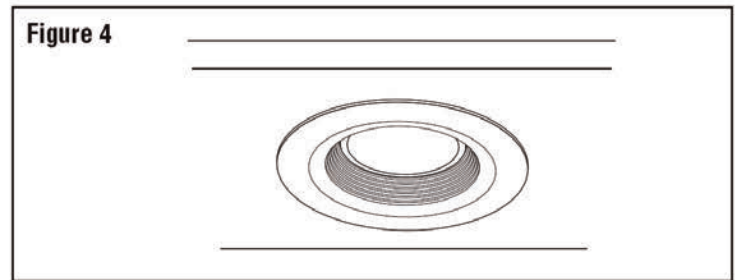


Figure 4

### INSTALLATION FOR AIR-TIGHT IN NEW CONSTRUCTION

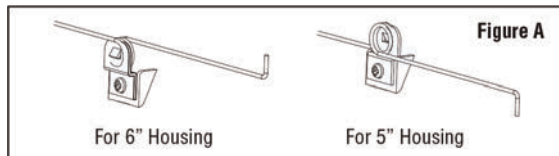
1. AIR-TIGHT housings certified under ASTM-283 are supplied with a pre-installed gasket.
2. If provided install the gasket supplied with fixture by removing the protective cover on the back of the gasket.
3. Place the gasket so that it extends around the extruded flange on the frame.

### INSTALLATION FOR LED RETROFIT TRIM

1. Remove wing nut and socket bracket from inside existing housing.
2. Remove socket from socket bracket.
3. Screw E26 socket adapter into socket in housing. (Fig. 1)
4. Plug the female connector of the retrofit-kit onto the male connector of the socket adapter assembly. (Fig. 2)
5. Squeeze the torsion springs together as shown and install into torsion spring brackets inside the housing (Fig. 3)

#### Note:

- a.) Torsion spring bracket pre-installed for 6" housing compatibility only.
- b.) If using 5" housing, unscrew bracket and position reversely as Fig A.



6. Tuck all wires into the housing and carefully push the retrofit-kit into housing. (Fig. 4)

### 120V APPROVED DIMMERS

- Lutron: NovaT (Ntelv300&600), Diva (Dvelv-300P&303P)
- Leviton: Acenti: Ate06-1Lw

Consult tech. service or factory for additional dimmers

### DRIVER REPLACEMENT

#### NOTE: Driver should be replaced by a qualified electrician.

1. Pull down trim and remove driver with attached (2) screws from trim assembly.
2. Disconnect driver from input wiring and lampholder leads (leads are terminated by wire nuts or push to release connectors on the driver.)
3. Replace only with LED driver.
4. Reinstall driver by reversing above procedure.



## TYPE IC/AIR-TIGHT RECESSED NEW CONSTRUCTION DOWNLIGHT INSTALLATION INSTRUCTIONS

### MaxLite LED Light Fixture Warranty

MaxLite warrants to its customers who purchase its commercial LED Fixtures that the products are free from defects in material and workmanship for a period of five years from the date of the first purchase from MaxLite. This warranty will be extended to the end-users of the products who purchase from customers who purchase the product from MaxLite for resale. This warranty will be subject to the following provisions.

This warranty is void if the product or the lighting system with which the product is operated is not installed, operated or maintained in accordance with:

- The National Electric Code (NEC)
- The Standards for Safety of Underwriters Laboratories, Inc. (UL)
- The Standards of the American National Standards Institute (ANSI)
- The specific instructions supplied by MaxLite for the installation, operation and maintenance of the product

This warranty is void if the product is operated outside of its normal operating conditions. The minimum starting temperature is -30°F \* and the maximum ambient temperature, 120°F. The product should only be used with compatible building control devices and dimmers when applicable. In order to make a claim under the warranty, customer must notify MaxLite in writing seeking return authorization and provide the defective products (or, if authorized by MaxLite, a sample of such defective products) to MaxLite.

CUSTOMER'S SOLE AND EXCLUSIVE REMEDY WITH RESPECT TO ANY CLAIM OR DAMAGE ARISING OUT OF, OR IN CONNECTION WITH, THE SALE OF ANY PRODUCT, OR ANY BREACH BY MAXLITE OF ITS OBLIGATIONS WITH RESPECT THERETO, SHALL BE LIMITED TO REPLACEMENTS OF THE PRODUCTS OR REFUND OF THE PURCHASE PRICE PAID BY CUSTOMER TO MAXLITE FOR THE PRODUCTS, AT MAXLITE'S SOLE DISCRETION, PROVIDED, HOWEVER, MAXLITE SHALL HAVE NO LIABILITY WHATSOEVER TO CUSTOMER UNLESS (I) CUSTOMER HAS COMPLIED WITH THE REQUIREMENTS HEREUNDER FOR MAKING A CLAIM, (II) THE PRODUCTS ARE FOUND TO BE DEFECTIVE BY MAXLITE AND (III) CUSTOMER HAS PAID FOR THE PRODUCTS IN FULL WHEN DUE.

MAXLITE HEREBY EXPRESSLY DISCLAIMS ANY WARRANTY OF MERCHANTABILITY OR FITNESS FOR A PARTICULAR PURPOSE AND MAKES NO OTHER WARRANTIES TO CUSTOMER, EXPRESS OR IMPLIED, EXCEPT AS SPECIFICALLY PROVIDED FOR HEREIN.

UNDER NO CIRCUMSTANCES SHALL MAXLITE BE LIABLE TO CUSTOMER FOR ANY PUNITIVE OR EXEMPLARY DAMAGES OR ANY CONSEQUENTIAL, INCIDENTAL, INDIRECT, OR SPECIAL DAMAGES (INCLUDING, WITHOUT LIMITATION, DAMAGES FOR LOSS OF USE, PROFITS, REVENUE OR BUSINESS) ARISING FROM, OR IN ANY WAY RELATED TO, THE SALE, USE OF, OR INABILITY TO USE THE PRODUCTS, NOTWITHSTANDING ANY FAILURE OF ESSENTIAL PURPOSE OF ANY LIMITED REMEDY HEREIN. THIS EXCLUSION SHALL APPLY REGARDLESS OF WHETHER SUCH DAMAGES ARE SOUGHT BASED ON BREACH OF CONTRACT, BREACH OF WARRANTY, NEGLIGENCE, STRICT LIABILITY IN TORT, OR ANY OTHER LEGAL OR EQUITABLE THEORY.

This warranty is subject to the terms and conditions of sale applicable to the initial purchase of the product from MaxLite, which shall take precedent.

For questions about this warranty, please contact your local MaxLite Representative or MaxLite at 1-800-555-5629 or [info@maxlite.com](mailto:info@maxlite.com) or visit [www.maxlite.com](http://www.maxlite.com)

EFFECTIVE 1/1/2012

\* Battery Back-up units rated at minimum temperature of 0°F