

MaxLite® LED RECESSED RETROFIT SERIES



General Safety Information

- To reduce the risk of death, personal injury or property damage from fire, electric shock, falling parts, cuts/abrasions, and other hazards read all warnings and instructions included with and on the fixture box and all fixture labels.
- Before installing, servicing, or performing routine maintenance upon this equipment, follow these general precautions.
- Commercial installation, service and maintenance of luminaires should be performed by a qualified licensed electrician.
- For Residential installation: If you are unsure about the installation or maintenance of the luminaires, consult a qualified licensed electrician and check your local electrical code.
- **DO NOT INSTALL DAMAGED PRODUCT!**
- This fixture is intended to be connected to a properly installed and grounded UL listed junction box.

WARNING:

RISK OF ELECTRICALSHOCK

- Turn off electrical power at fuse or circuit breaker box before wiring fixture to the power supply.
- Turn off the power when you perform any maintenance.
- Verify that supply voltage is correct by comparing it with the luminaire label information.
- Make all electrical and grounded connections in accordance with the National Electrical Code and any applicable local code requirements.
- All wiring connections should be capped with UL approved wire connectors.

CAUTION:

RISK OF INJURY

- Wear gloves and safety glasses at all times when removing luminaire from carton, installing, servicing or performing maintenance.
- Avoid direct eye exposure to the light source while it is on.
- Account for small parts and destroy packing material, as these may be hazardous to children.

CAUTION:

RISK OF FIRE

- Keep combustible and other materials that can burn away from luminaire and lamp/lens.
- MIN 90°C SUPPLY CONDUCTORS.

Illustrations on the manual are for installation purposes only. It may not be identical to the fixture purchased.

Component Summary

Part	Illustration	Qty.	Part	Illustration	Qty.
Reflector		1	Angled Brackets		3
Trim Ring		1	Tension Clip		3
Diffuser		1	Pan Head Screw		3

Mounting Instructions



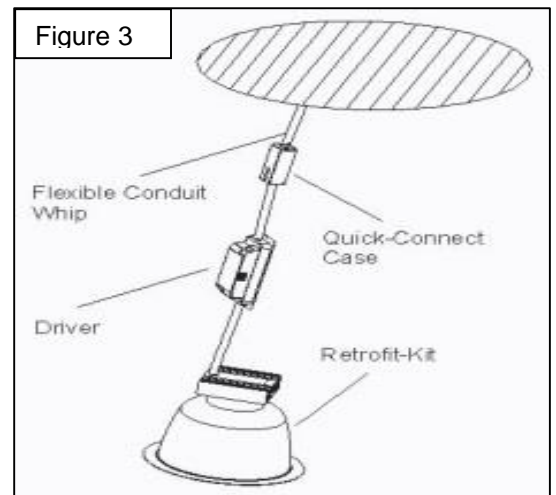
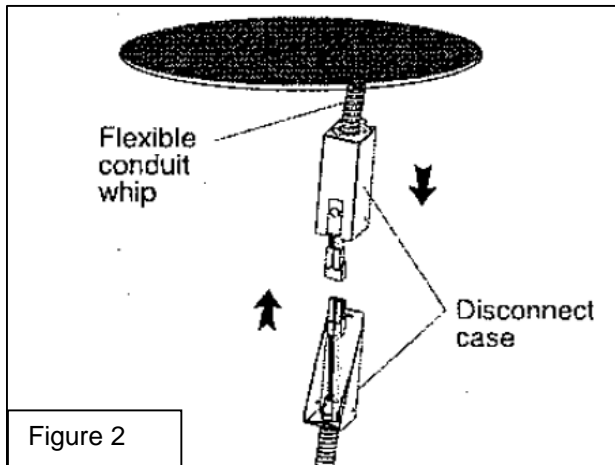
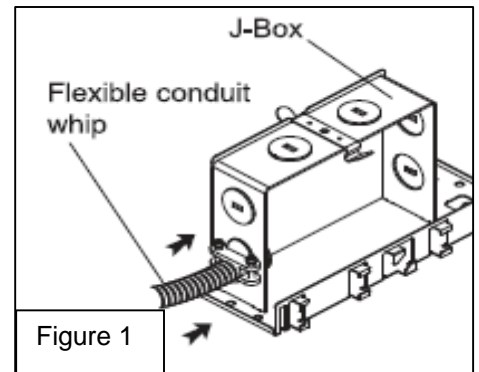
Picture is for illustration purposes only. Your model may vary.

MaxLite® LED RECESSED RETROFIT SERIES



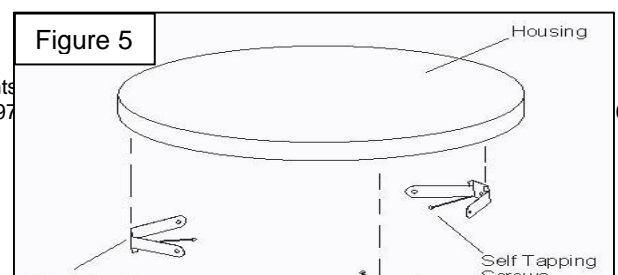
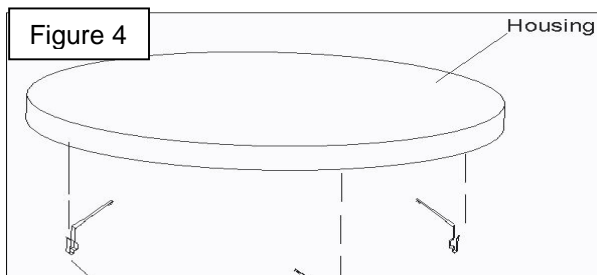
Before installation, ensure if power supply is disconnected. Cables must be connected in accordance to instruction and proper standing rules. Recessed retrofit fixture is dimmable with Triac based controls, please visit www.maxlite.com for a complete list of compatible controls. All wiring connections must be made in accordance with the supplied instruction manual and all applicable national and local wiring codes.

1. Turn power off at fuse or circuit breaker box.
2. Remove the j-box cover from existing frame housing.
3. Open quick case and remove quick-connect flexible whip.
4. Remove appropriate round knockout and connect the flexible conduit whip to j-box with the provided snap-in connector. **(Fig. 1)**
5. Access the wiring compartment by removing a side to the J-Box.
6. Make wire connections between the conductors from the retrofit quick connect and supply wires. Simply connect disconnect case (Patent Pending) by Snap-On fit. Black = Line, White = Common **(Fig. 2)**



7. Fasten the LED engine to the down light retrofit kit utilizing the twist locking key holes.
8. With the fixture housing LED's pointing down place the trim ring concave up around the reflector.
9. Tuck the flexible conduit whip and the retrofit-kit into the existing housing. **(Fig. 3)**
10. If the LED retrofit is not secured properly by existing hardware use supplied mounting clips from parts bag to secure the reflector properly.
11. Supply power and enjoy new LED Down light Retrofit Kit.

NOTE: If recessed aperture has an edge use the tension clips. Tension clips are installed by pushing upward on the edge of the recessed fixture frame as shown in figure 4. If no edge is visible attach angled brackets to the interior of the recessed fixture aperture using supplied pan head screws, or other appropriate fastener as shown in figure 5. If previous methods do not create a secured friction surface both retaining clips are mounted in combination. The tension clip is fastened on the center of the angled bracket clip.



MaxLite® LED RECESSED RETROFIT SERIES



Housing Compatibility: Please contact MaxLite at (973)244-7300 if your housing is not listed

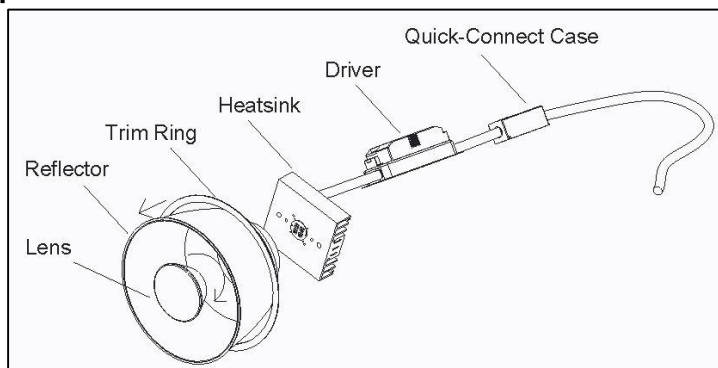
RR4xxxW ETL Classified for retrofit in the following 4" housings;	
Lightoiler	S4118VU

RR6xxxW ETL Classified for retrofit in the following 6" housings;	
Halo	PD6V142E, PD6V120, PD7V501E, PD6V501E, PD6V701E, PD6V1001E
Juno	CV6-118T, CV6-126Q, CV6-126/32T, TC906, MX6-XX, M6-XX
Lithonia	LP6F, CCR62, LP6H, LP6

RR8xxxW ETL Classified for retrofit in the following 8" housings;	
Halo	PD7V142E, PD7V120, PD7V501E, PD7V701E, PD7V1001E, PD7V70XIE, PD7V100XIE
Juno	CV8-126/32/42T, TC908, MX8-(70,100), M8-(70,100)
Lithonia	LP8F, CCR82, LP8H, LP8

RR9xxxW ETL Classified for retrofit in the following 9" housings;	
Cooper	MD9E, H6004T, C9170, C9157, C9142, C9242, C9257
Elite	HV10PL, HH10PL
Prescolite	LFHL 9" Round
Liton	LVH9132, LVH9141, LVH9157, LVH9170, LHM9070ADVE, LHM9100ADVE, LHM9070, LHM9100, LHM9150, LHM9175, LHM9250

Exploded View:



Warranty

MaxLite® LED RECESSED RETROFIT SERIES



LIMITED WARRANTY FOR CERTAIN MAXLITE® LED LIGHTING FIXTURES, SPECIFICALLY LED TROFFERS; TROFFER RETROFITS; PANEL LUMINAIRES; DOWNLIGHTS; HIGH BAY; WRAP AND VAPOR TIGHT; PLUG & PLAY LIGHT BARS; EXIT SIGNS.

This limited warranty is provided by the MaxLite company described below ("Seller") to you as the original purchaser of the LED lighting product that is identified on Seller's invoice reflecting its original purchase (the "Product"). The Seller is the MaxLite Company identified as such on the invoice. This limited warranty may be transferred to subsequent purchasers of the Product, provided that such Product is resold in new condition and in its original packaging. Seller warrants that the Product, when delivered in new condition and in its original packaging, will be free of defects in material and workmanship for a period of FIVE (5) YEARS from the date of original purchase or the number of hours used has not exceeded the L70 life stated for each LED fixture. The determination of whether the Product is defective shall be made by Seller in its sole discretion with consideration given to the overall performance of the Product. A Product shall not be considered defective solely as a result of the failure of individual LED components to emit light if the number of inoperable components is less than 10% of the total number of LED components in the Product.

If Seller determines the Product is defective, Seller will elect, in its sole discretion, to refund you the purchase price of the Product, repair the Product or replace the Product. This limited warranty does not apply to loss or damage to the Product caused by: negligence; abuse; misuse; mishandling; improper installation, storage or maintenance; damage due to fire or acts of God; vandalism; civil disturbances; power surges; improper power supply; electrical current fluctuations; corrosive environment installations; induced vibration; harmonic oscillation or resonance associated with movement of air currents around the Product; alteration; accident; failure to follow installation, operating, maintenance or environmental instructions prescribed by Seller or applicable electrical codes; or improper service of the Product performed by someone other than Seller or its authorized service provider. This limited warranty excludes field labor and service charges related to the repair or replacement of the Product. **THIS LIMITED WARRANTY IS VOID IF THE PRODUCT IS NOT USED FOR THE PURPOSE FOR WHICH IT IS DESIGNED.**

Seller reserves the right to utilize new, reconditioned, refurbished, repaired or remanufactured products or parts in the warranty repair or replacement process. Such products and parts will be comparable in function and performance to an original product or part, as determined by Seller in its sole discretion, and warranted for the remainder of the original warranty period.

In order to make a warranty claim, you must notify Seller in writing within sixty (60) days after your discovery of the defect, provide proof of purchase such as the invoice and comply with Seller's other warranty requirements. Upon receiving that notice, Seller may require you to promptly return the Product to Seller, or its authorized service provider, freight prepaid. Your warranty claim should be addressed to MaxLite, Inc., 12 York Ave. West Caldwell NJ 07006.

This limited warranty only applies to specified LED fixtures. Backup batteries, photocells and other fixture accessories can be found at www.MaxLite.com/lighting/products/warranty.

THE FOREGOING WARRANTY PROVISIONS ARE EXCLUSIVE AND ARE GIVEN AND ACCEPTED IN LIEU OF ANY AND ALL OTHER WARRANTIES, WHETHER EXPRESS OR IMPLIED, INCLUDING WITHOUT LIMITATION ANY WARRANTY AGAINST INFRINGEMENT AND ANY IMPLIED WARRANTIES OF MERCHANTABILITY OR FITNESS FOR A PARTICULAR PURPOSE. IN NO EVENT SHALL SELLER BE LIABLE FOR INCIDENTAL, COMPENSATORY, CONSEQUENTIAL, INDIRECT, SPECIAL OR OTHER DAMAGES. SELLER'S AGGREGATE LIABILITY WITH RESPECT TO A DEFECTIVE PRODUCT SHALL IN ANY EVENT BE LIMITED TO THE MONIES PAID TO SELLER FOR THAT DEFECTIVE PRODUCT.

This warranty is effective for purchases of Product on or after the effective date set forth below. Seller reserves the right to modify this warranty from time to time. Any modification of this warranty shall be effective for all orders placed with Seller on or after the effective date of such revised warranty.

Effective Date: June 13, 2014