

MaxLite® Slim Downlight Fixture



General Safety Information

- Before installing, servicing, or performing routine maintenance upon this equipment, follow these general precautions.
- To reduce the risk of death, personal injury or property damage from fire, electric shock, falling parts, cuts/abrasions, and other hazards read all warnings and instructions included with and on the fixture box and all fixture labels.
- Commercial installation, service and maintenance of luminaires should be performed by a qualified licensed electrician.
- For Residential installation: If you are unsure about the installation or maintenance of the luminaires, consult a qualified licensed electrician and check your local electrical code.
- DO NOT INSTALL DAMAGED PRODUCT!
- This fixture is intended to be connected to a properly installed and grounded UL listed junction box.



Picture is for illustration purposes only. Your model may vary.

WARNING:

RISK OF ELECTRICAL SHOCK

- Turn off the electrical power at fuse or circuit breaker box before wiring fixture to power supply.
- Turn off the power when you perform any maintenance.
- Verify that supply voltage is correct by comparing it with the luminaire label information.
- Make all electrical and grounded connections in accordance with the National Electrical Code and any applicable local code requirements.
- All wiring connections should be capped with UL approved wire connectors.

CAUTION:

- Don't replace any accessory to prevent from dropping, electric shock or fire. Etc.
- Don't touch the lamp when in use.
- Always switch off the mains supply. 5-10 minutes later to replace the lamp after the used lamp has cooled down.
- Lamps should only be used in a protective shield!

CAUTION:

RISK OF INJURY

- Wear gloves and safety glasses at all times when removing luminaire from carton, installing, servicing or performing maintenance.
- Avoid direct eye exposure to the light source while it is on.
- Account for small parts and destroy packing material, as these may be hazardous to children.

Included parts:

- 1pcs - SDLR fixture with connection box
- 3pcs - Terminal Connectors
- 2pcs - Screws

Required tools:

- Philips head screw driver
- Electric drill
- Saw
- Measuring tape
- Wire nuts/quick disconnects

CAUTION:

RISK OF FIRE

- Keep combustible and other materials that can burn away from luminaire.
- MIN 75°C SUPPLY CONDUCTORS.

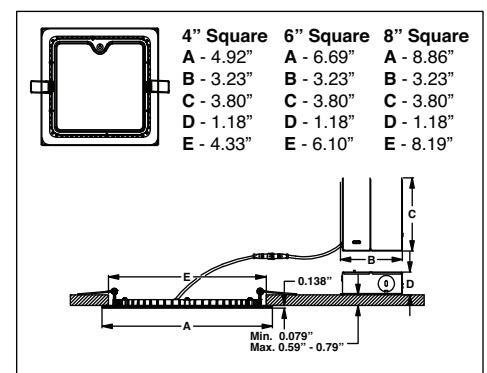
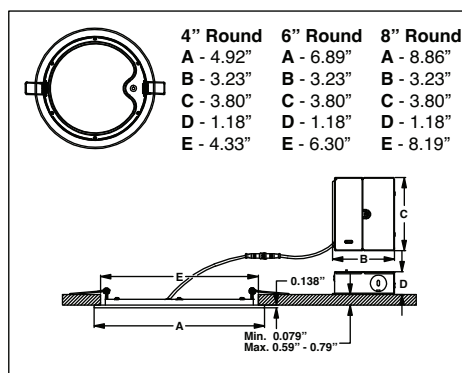
Models:

- SDL Series

Input Rating: 120V 60Hz

Operating Temperature: -4°F to 104°F (-20°C to 40°C)

Wet Location Rated





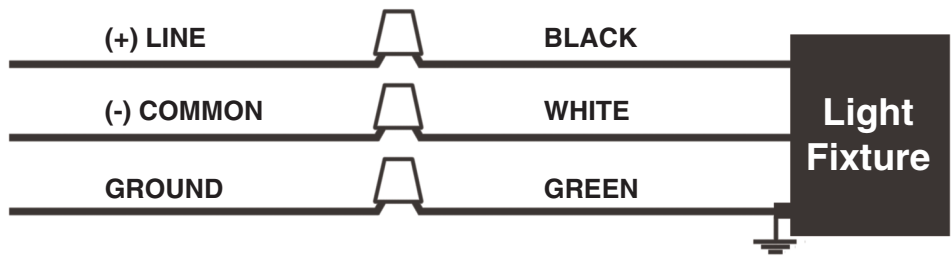
MaxLite® Slim Downlight Fixture

General Wiring Diagram

CAUTION: Turn off electrical power at fuse or circuit breaker box before wiring fixture to the power supply.

Input Rating: 120/277V 60 Hz

- Black = Line
- White = Neutral
- Green = Ground



Installation Instructions

- 1.) Make sure the POWER IS TURNED OFF from the electrical panel before starting installation or maintenance.
- 2.) Locate a suitable position to install the fixture and create hole in accordance to the dimensions shown. **(Fig. 1)**
- 3.) Open the connection box cover and remove the appropriate knockout(s). Make wiring connections as per wiring diagram.
- 4.) Place all wiring and connections back in to the box and close the cover. **(Fig. 2)**
- 5.) Insert connection box through the mounting hole. **(Fig. 3)**
 - Connection box shall be firmly secured to studs, joists, or similar fixed structural units. **(Fig. 4)**

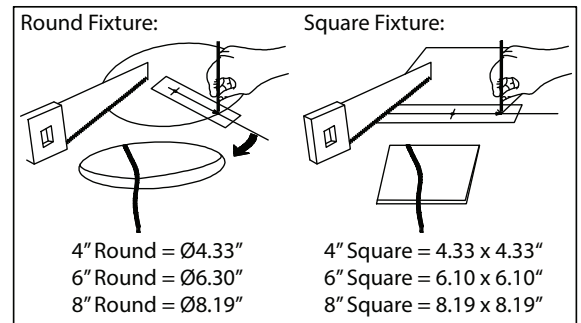


Fig. 1

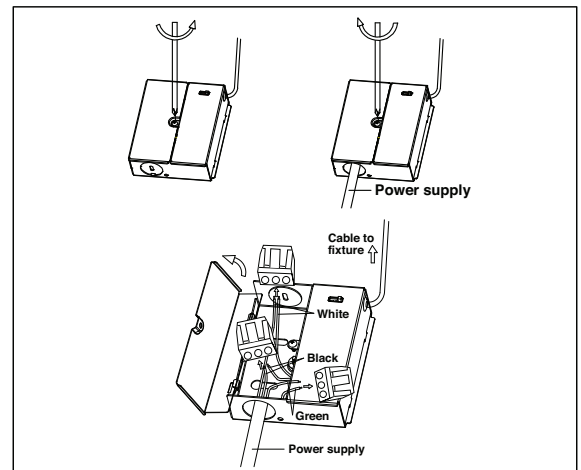


Fig. 2

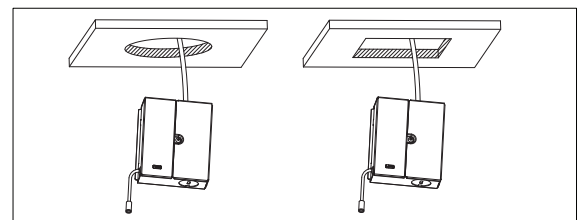


Fig. 3

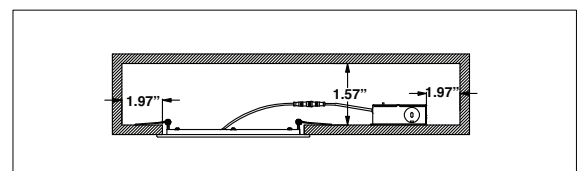


Fig. 4



MaxLite® Slim Downlight Fixture

Installation Instructions (Continued)

- 7.) Connect the fixture to the connection box by inserting and twisting the male/female connectors. **(Fig. 5)**
- 8.) Push spring loaded clips on the fixture upwards and insert fixture base in to the mounting hole. Release the clips and fixture will be pulled flush to the ceiling. **(Fig. 6)**
- 9.) Once assembly is complete, turn on power to confirm fixture is working properly.

Note: The light source contained in this luminaire shall only be replaced by the manufacturer or his service agents or similar qualified person.

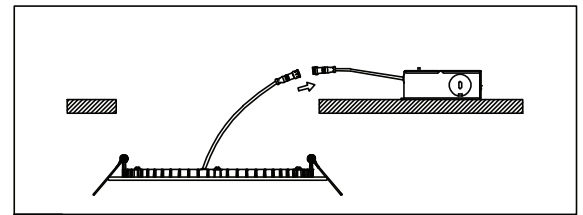


Fig. 5

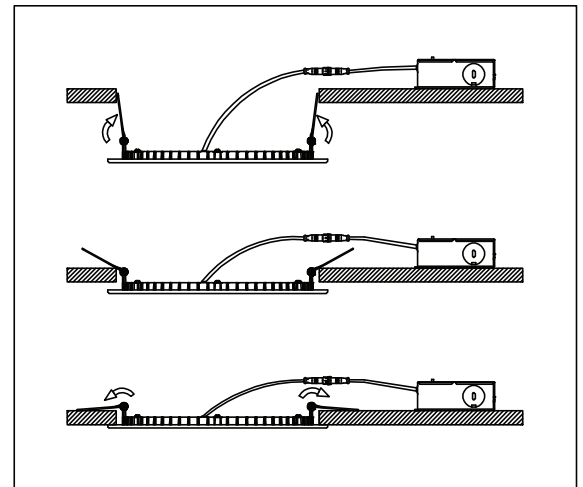


Fig. 6

This device complies with Part 15 of the FCC Rules. Operation is subject to the following two conditions:
 (1) This device may not cause harmful interference, and (2) this device must accept any interference received, including interference that may cause undesired operation.



MaxLite® Slim Downlight Fixture



Warranty Information

MaxLite Inc. warrants its products for a minimum period of **FIVE (5)** years from the date of original purchase from MaxLite or its authorized distributor/dealer (the "Warranty Period"), as follows: If a Product fails to operate during the Warranty Period as a result of defects in materials or workmanship, MaxLite will, at its option, repair it, replace it with the same or like Product.

Please refer to Maxlite's website (at <http://maxlite.com/resources/warranties>) for the complete terms and conditions of our warranty.

Limitation of Liability

THE FOREGOING WARRANTY IS EXCLUSIVE, AND IS THE SOLE REMEDY FOR ANY AND ALL CLAIMS, WHETHER IN CONTRACT, IN TORT OR OTHERWISE ARISING FROM THE FAILURE OF PRODUCT AND IS IN LIEU OF ALL OTHER WARRANTIES, EXPRESS OR IMPLIED, INCLUDING ALL WARRANTIES OF MERCHANTABILITY OR FITNESS FOR A PARTICULAR PURPOSE, WHICH WARRANTIES ARE HEREBY EXPRESSLY DISCLAIMED TO THE EXTENT PERMITTED BY LAW AND, IN ANY EVENT, SHALL BE LIMITED TO THE WARRANTY PERIOD SPECIFIED ABOVE. THE LIABILITY OF MAXLITE SHALL BE LIMITED TO THE TERMS OF THE EXPRESS WARRANTY SET FORTH HEREIN. IN NO EVENT WILL MAXLITE BE LIABLE FOR ANY SPECIAL, INCIDENTAL OR CONSEQUENTIAL DAMAGES INCLUDING, WITHOUT LIMITATION, DAMAGES RESULTING FROM LOSS OF USE, PROFITS, BUSINESS OR GOODWILL, LABOR COSTS, REMOVAL OR INSTALLATION COSTS, DECREASE IN THE LIGHT OUTPUT OF THE LAMP, AND/OR DETERIORATION IN THE LAMP'S PERFORMANCE, WHETHER OR NOT MAXLITE HAS BEEN ADVISED OF THE POSSIBILITY THEREOF. UNDER NO CIRCUMSTANCES SHALL MAXLITE'S ENTIRE LIABILITY FOR A DEFECTIVE PRODUCT EXCEED THE PURCHASE PRICE OF THAT PRODUCT. WARRANTY SERVICES PROVIDED UNDER THESE TERMS AND CONDITIONS DO NOT ENSURE THE UNINTERRUPTED OPERATION OF PRODUCTS; MAXLITE SHALL NOT BE LIABLE FOR DAMAGES CAUSED BY ANY DELAYS INVOLVING WARRANTY SERVICE.

This Limited Warranty gives you specific legal rights and you may also have other rights that may vary from state to state. Because some states or jurisdictions do not allow the exclusion or limitation of liability for consequential or incidental damages, this limitation may not apply to you.