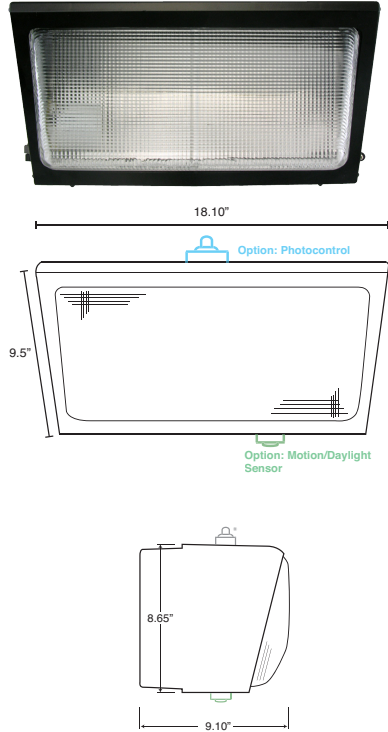


LED WALLMAX LARGE WALL PACK

WPL SERIES



FEATURES:

- Replaces up to 400-Watt Metal Halide
- Up to 145,000-hour L70 lifetime, TM-21 standards @ 25°C
- Heavy-duty cast aluminum housing is polyester
- Powder coated to be rust and corrosion proof
- High-quality shatter-resistant glass
- Sealed fixture is dirt and bug free
- Top, bottom, and side knockouts for mounting convenience
- Available with Dusk to Dawn sensor
- 0-10V dimming driver standard; occupancy sensor compatible
- LM-79/80 data available
- 5-Year Warranty

CONTROLS:

120-277VAC Photocontrol: Voltage-specific photocontrols power the fixture when light levels reach 20 lux or below, and turn it off at 30 lux or higher. The operating temperature of the photocontrols are -30°F-120°F. Photocell mounted external.

Motion/Daylight Sensor: 0-10V passive infrared-based motion sensor with integral photocontrol, allowing for two output states: 100% or 10/20/30/40/50% output.

Detection area, hold time, daylight threshold, and dimming level can be adjusted via the accessible push-button.

The operating temperature of the sensor is -40°F- 161°F. At its maximum mounting height of 20 feet, the sensor can detect motion up to 35 feet away. The sensor is mounted externally and, embedded within fixture backhousing. For 24-hour operation where luminaire is always powered on, please combine MS4 with PC12 to turn fixture off during daylight hours.

PHOTOMETRICS:

All .IES files available online. Please see page 3 for Iso-footcandle layouts.

PRODUCT DESCRIPTION:

MaxLite's standard WallMax™ LED Wall Packs with new optics increase light output and efficacy to reduce shadows and create safe, brightly-lit outdoor environments in parking garages and entrances, public areas, schools, hospitals, hotels and outdoor walkways nationwide. These 40-, 55-, and 80-watt LED fixtures are energy-efficient replacements for 175-, 250-, and 400-watt metal halide fixtures respectively. The fixtures are rebatable, save energy, lower maintenance costs, and prevent light pollution.

MODEL SELECTION (Full list of order codes on pg. 2)

Typical order example: WPL40AH50W

WPL		A		50	B	
FAMILY	NOMINAL POWER, EQUIVALENCY	GENERATION	VOLTAGE	CCT	FINISH	CONTROLS
WPL= Large Wall Pack	40= 40W, 175W MH equivalent 55= 55W, 250W MH equivalent 80= 80W, 400W MH equivalent	A= Generation A	U= 120-277V, std. H= 347-480V	50= 5000K	B= Bronze	(OMIT)= None PC12= 120-277V Integral Photocontrol MS4= Daylight/Motion Sensor (Hi/Low) IBB= Internal Battery Backup SS= 10 kA Surge Suppressor

ACCESSORIES

ORDER CODE	MODEL NUMBER	DESCRIPTION	ACCESSORIES IMAGE
71330	MLLWPWG	Large Wall Pack Guard (Black)	

NOTES:

1. In the event of a power failure, the battery backup units switch to emergency mode (700 lumen output) and operates the fixture for a minimum of 90 minutes.
2. High voltage and motion sensors not available with 80W models.

SPECIFICATIONS:

ITEM	SPECIFICATION	WPL40AU50B	WPL55AU50B	WPL80AU50B
		40WATTS - DETAILS	55 WATTS - DETAILS	80 WATTS - DETAILS
GENERAL PERFORMANCE	Input Power (W)	38	53	77
	Lumens Delivered (lm)	3480	4775	8600
	Efficacy (lm/W)	91	90	111
	CRI	≥80		
	Lumen Maintenance (L70, TM-21 @ 25°C)	≥145,000		≥100,000
	Color Temperature	5000K		
	Spacing Criteria	Available Upon Request		
	Color Consistency	Proprietary binning for uniform color		
ELECTRICAL	Power Factor (120V/277V)	0.99/0.92	0.99/0.94	0.99/0.91
	Input Voltage	120-277V standard; 347-480V step down transformer available		
PHYSICAL	Housing	Aluminum		
	Lens	High quality shatterproof glass		
	Mounting	Fits electrical box or mount directly		
QUALIFICATION	Material Usage	RoHS compliant; no mercury		
	Environment	Outdoor, Wet location		
	Qualification	LM-79, LM-80, TM-21, cULus, DLC 4.1 Standard		
	Warranty	5 years		
	Operating Temperature	-30°F - 122°F/32°F - 104°F (IBB Models)		
	Humidity	5%-95% RH, non condensing		

Lighting layouts and spacing criteria available upon request

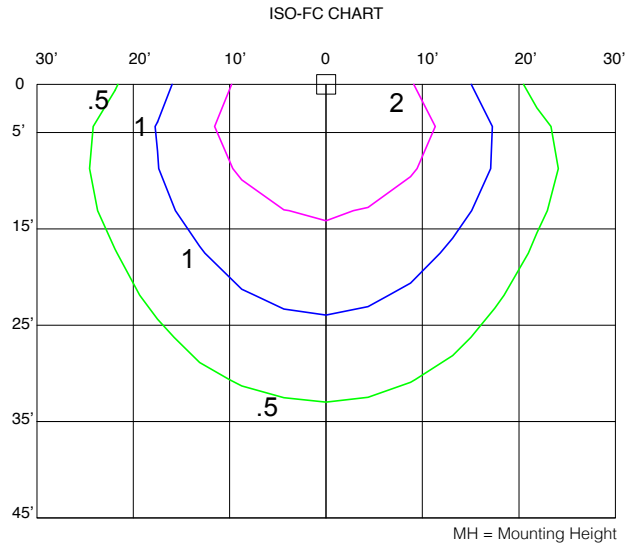
ORDERING*:

ORDER CODE	MODEL	CONTROLS	FINISH	VOLTAGE	WATTAGE	CCT
95268	WPL40AH50B	None	BRONZE	347-480V	40	5000K
95258	WPL40AU50B	None	BRONZE	120-277V		
95257	WPL40AU50BIBB	Internal Battery Backup	BRONZE	120-277V		
95256	WPL40AU50BMS4	Motion/Daylight Sensor	BRONZE	120-277V		
95254	WPL40AU50BPC12	120-277V Photocontrol	BRONZE	120-277V		
95288	WPL55AH50B	None	BRONZE	347-480V	55	
95278	WPL55AU50B	None	BRONZE	120-277V		
95277	WPL55AU50BIBB	Internal Battery Backup	BRONZE	120-277V		
95276	WPL55AU50BMS4	Motion/Daylight Sensor	BRONZE	120-277V		
95274	WPL55AU50BPC12	120-277V Photocontrol	BRONZE	120-277V		
91498	WPL80AU50B	None	BRONZE	120-277V	80	

*Please contact your MaxLite representative to order products that don't have order codes listed here.

PHOTOMETRICS:

WPL40AU50B

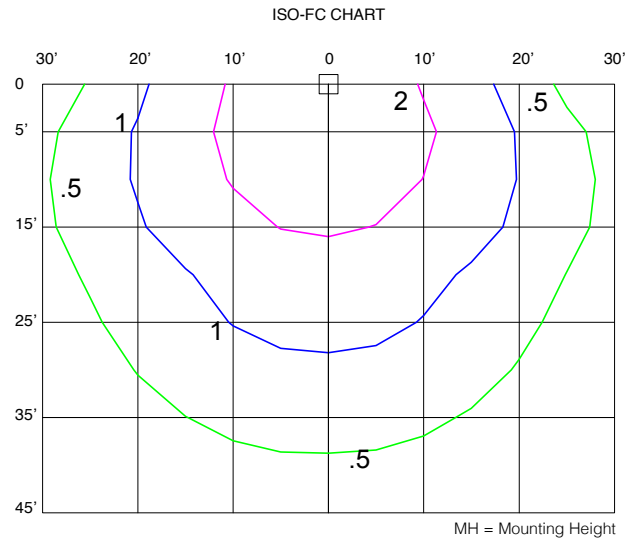


LB-WPL40AU50B-USD
3480 Lumens
20' Mounting Height

Foot-candle Correction Factor:

New Height:	18'	20'	22'	25'	30'
Multiply by:	1.23	1.00	0.83	0.64	0.44

WPL55AU50B



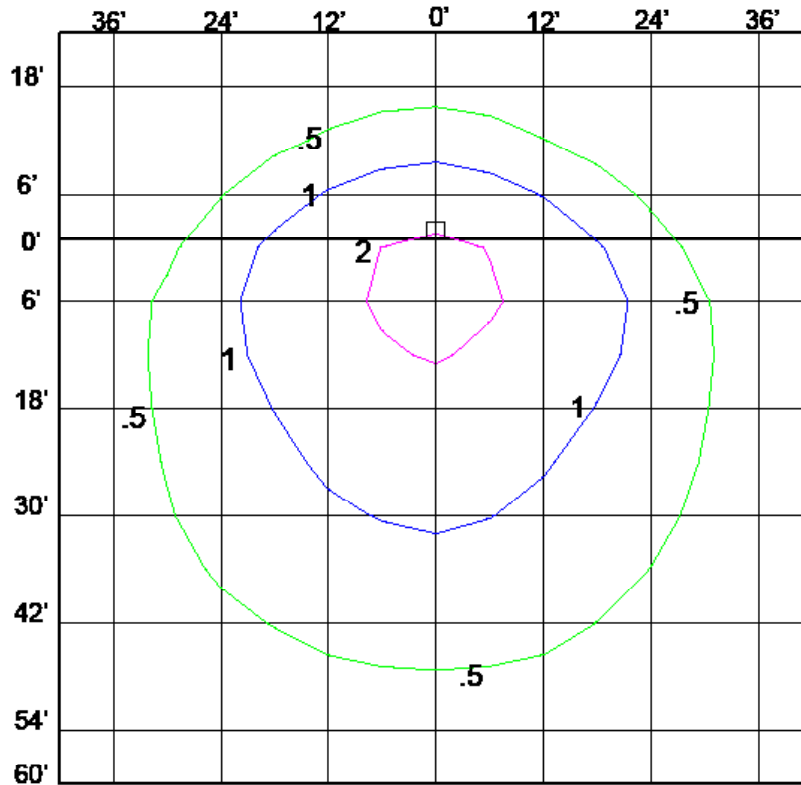
WPL55AU50B
4777 Lumens
25' Mounting Height

Foot-candle Correction Factor:

New Height:	18'	20'	22'	25'	30'
Multiply by:	1.93	1.56	1.29	1.00	0.69

WPL80AU50B

ISO-FC CHART



LE-WPL80AU50B-USB
8600 Lumens
30° Mounting Height

Foot-candle Correction Factor:

Now Height:	20'	25'	30'	35'	40'
Multiply by:	2.25	1.44	1.00	0.73	0.56