

**MaxLite® FlatMAX™ LED Edge Lit Panels****General Safety Information**

- To reduce the risk of death, personal injury or property damage from fire, electric shock, falling parts, cuts/abrasions, and other hazards read all warnings and instructions included with and on the fixture box and all fixture labels.
- Commercial installation, service and maintenance of luminaires should be performed by a qualified licensed electrician.
- **DO NOT INSTALL DAMAGED PRODUCT!**



Picture is for illustration purposes only.  
Your model may vary.

**WARNING:****RISK OF ELECTRICAL SHOCK**

- Turn off the electrical power at fuse or circuit breaker box before wiring fixture to power supply.
- Turn off the power when you perform any maintenance.
- Verify that supply voltage is correct by comparing it with the luminaire label information.
- Make all electrical and grounded connections in accordance with the National Electrical Code and any applicable local code requirements.
- All wiring connections should be capped with UL approved wire connectors.

**CAUTION:****RISK OF INJURY**

- Wear gloves and safety glasses at all times when removing luminaire from carton, installing, servicing or performing maintenance.
- Avoid direct eye exposure to the light source while it is on.
- Account for small parts and destroy packing material, as these may be hazardous to children.
- Ensure fixtures are properly secured to T-bar grid, ceiling, using wire, or aircraft cable capable of supporting 100 lbs. minimum.

**CAUTION:****RISK OF FIRE**

- Keep combustible and other materials that can burn away from luminaire and lamp/lens.
- **MIN 90°C SUPPLY CONDUCTORS.**

Models:

**MLFP Series**

MaxLite® FlatMAX™ LED Edge Lit Panels



**Operating Characteristic**

Voltage input: 120-277V 50/60Hz

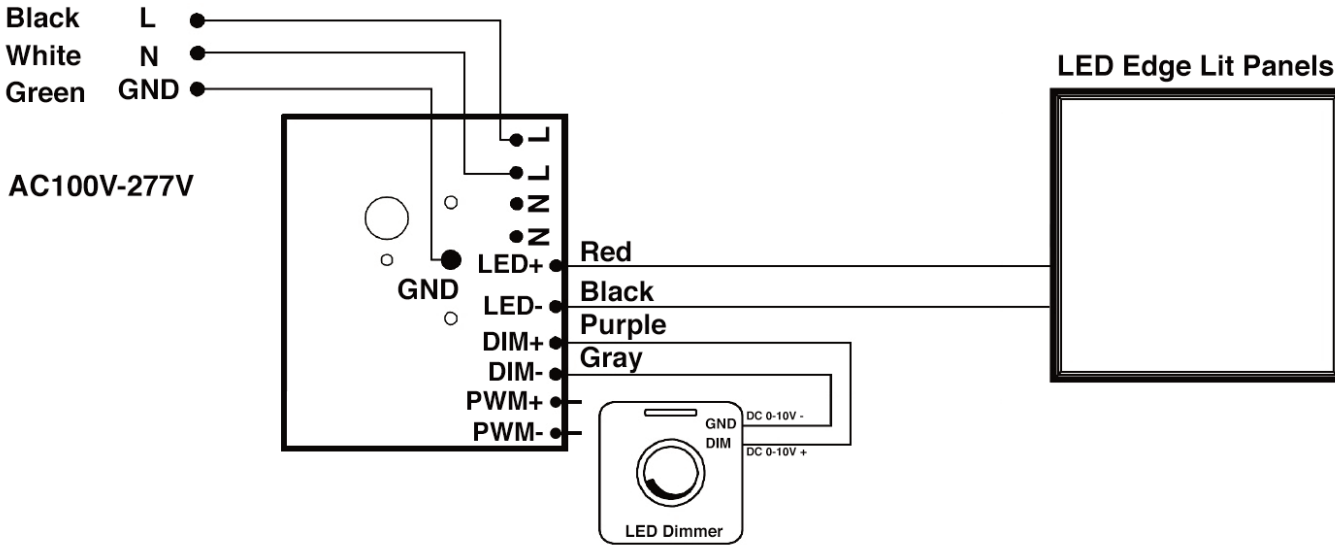
Operating temp: -4°F to 104°F

\*\*Consult with dimmer control manufacturer's wiring instructions.

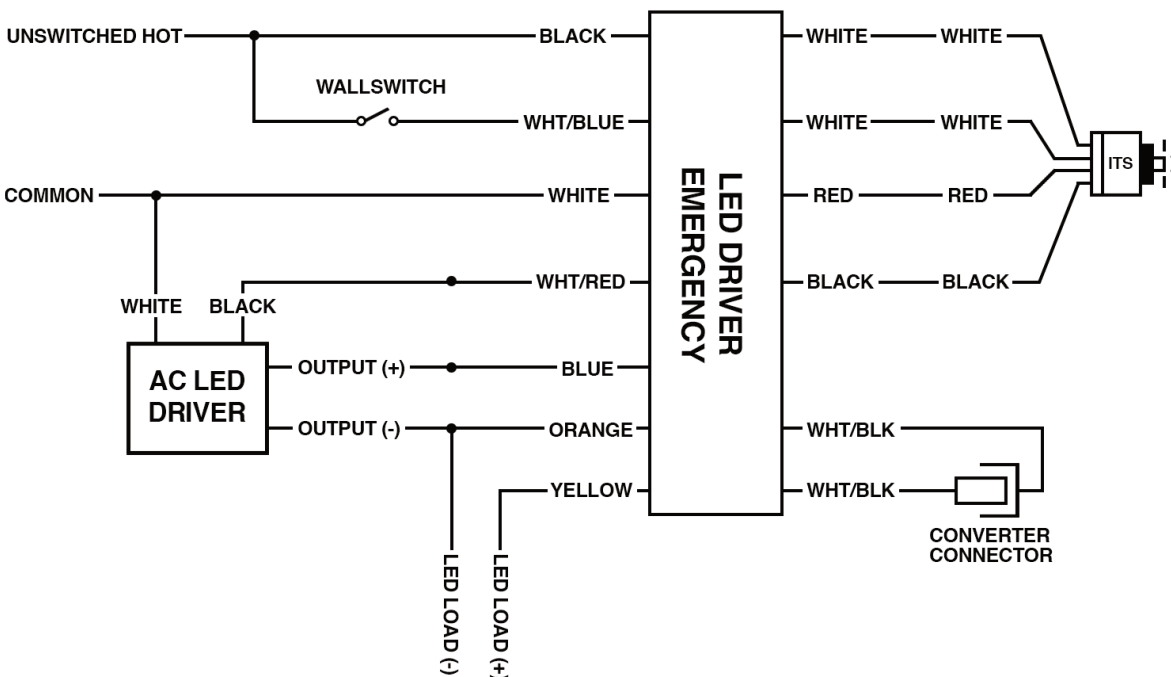
**Standard Wiring Diagram**

**⚠ WARNING**

Risk of fire or electric shock, installation requires knowledge of the lighting luminaires electrical systems. If not qualified, do not attempt installation and contact a qualified electrician.



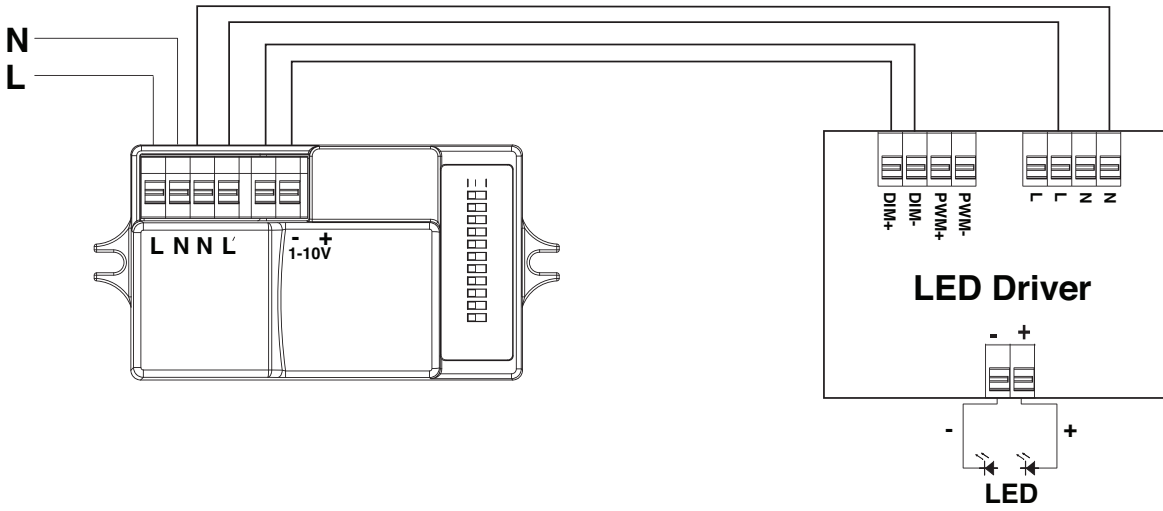
**Emergency Battery Backup Option Wiring Diagram**



MaxLite® FlatMAX™ LED Edge Lit Panels



MS Sensor Option Wiring Diagram

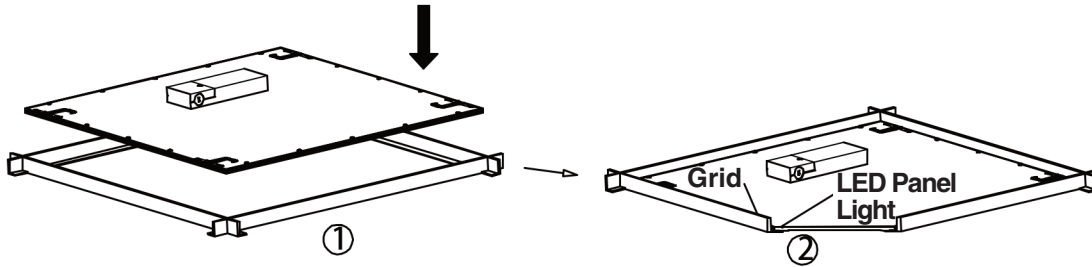


MaxLite® FlatMAX™ LED Edge Lit Panels

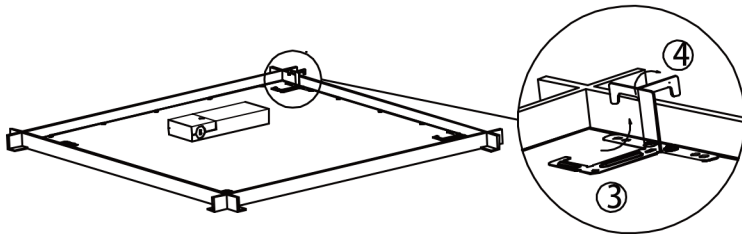


**Mounting Instructions**

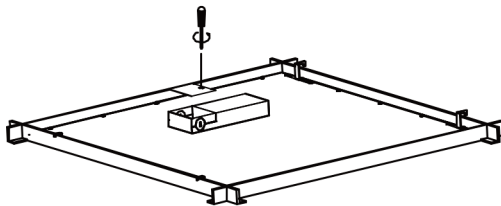
1.) Install LED Panel Light into grid (See **Figure 1** and **Figure 2**)



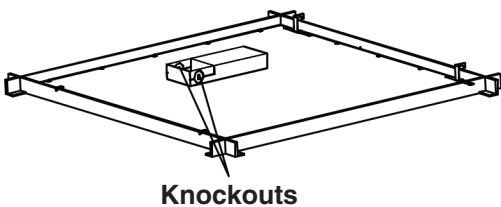
2.) Bend hang buckle by 90°, making it vertical to the rear cover of panel light (**Figure 3**).  
 Bend hang buckle's top part by 90° (**Figure 4**), Same to all hang buckles.  
 Buckles are only for positioning propose, it is not for mechanical securement



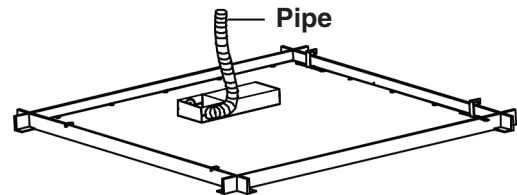
3.) Remove driver cover plate.



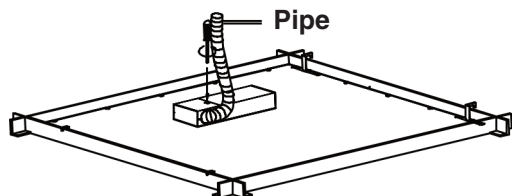
4.) Remove the knockouts.



5.) Insert connector. Wire to fixture appropriately based on application requirements. See wiring diagrams on page 2 and 3. Reinstall the driver cover plate.



6.) Fixed driver cover plate. Power the troffer.

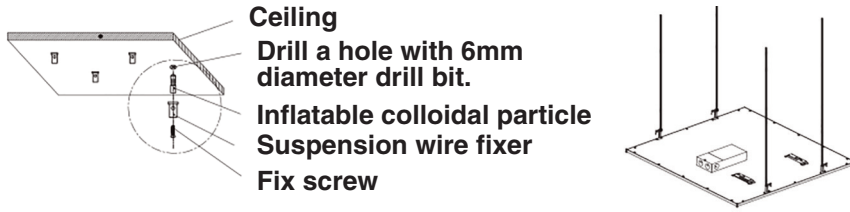




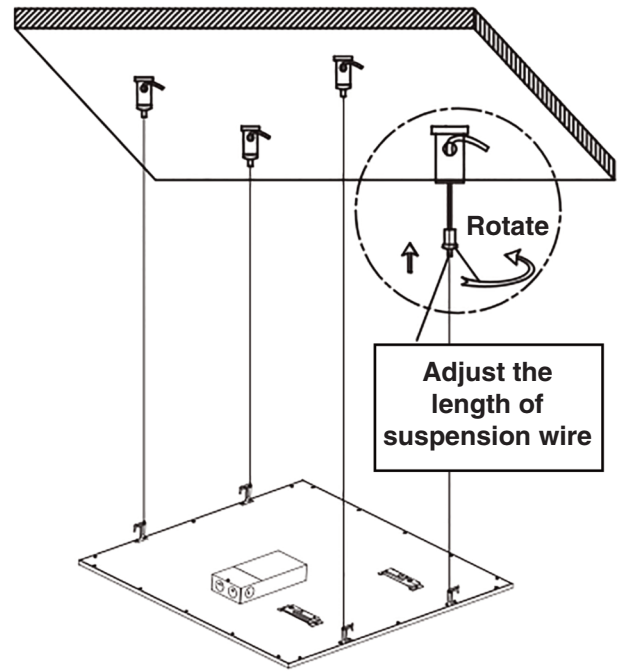
MaxLite® FlatMAX™ LED Edge Lit Panels

**Optional Suspended Mounting**

(Kit sold separately)

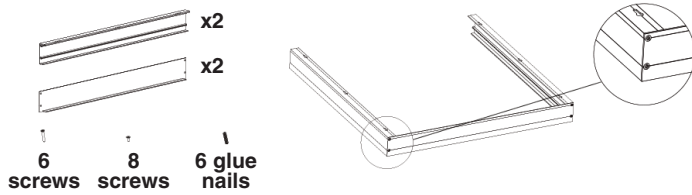


- 1.) Fix the suspension wire fixer on the ceiling
- 2.) Put suspending cable on the hooks
- 3.) Fix the suspension wire on the ceiling
- 4.) Connect input wire



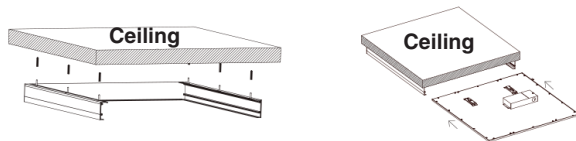
**Optional Surface Mounting**

(Kit sold separately)

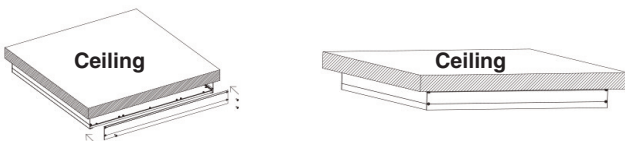


1.) Surface Mount Kits

2.) Assembly



- 1.) Fix the frame on ceiling.
- 2.) Insert LED panel to the frame.



- 3.) Fix "L" bracket to the frame.
- 4.) Installation complete.

**MaxLite® FlatMAX™ LED Edge Lit Panels****Warranty Information**

MaxLite Inc. warrants its products for a minimum period of **FIVE (5)** years from the date of original purchase from MaxLite or its authorized distributor/dealer (the "Warranty Period"), as follows: If a Product fails to operate during the Warranty Period as a result of defects in materials or workmanship, MaxLite will, at its option, repair it, replace it with the same or like Product.

Please refer to Maxlite's website (at <http://maxlite.com/resources/warranties>) for the complete terms and conditions of our warranty.

**Limitation of Liability**

THE FOREGOING WARRANTY IS EXCLUSIVE, AND IS THE SOLE REMEDY FOR ANY AND ALL CLAIMS, WHETHER IN CONTRACT, IN TORT OR OTHERWISE ARISING FROM THE FAILURE OF PRODUCT AND IS IN LIEU OF ALL OTHER WARRANTIES, EXPRESS OR IMPLIED, INCLUDING ALL WARRANTIES OF MERCHANTABILITY OR FITNESS FOR A PARTICULAR PURPOSE, WHICH WARRANTIES ARE HEREBY EXPRESSLY DISCLAIMED TO THE EXTENT PERMITTED BY LAW AND, IN ANY EVENT, SHALL BE LIMITED TO THE WARRANTY PERIOD SPECIFIED ABOVE. THE LIABILITY OF MAXLITE SHALL BE LIMITED TO THE TERMS OF THE EXPRESS WARRANTY SET FORTH HEREIN. IN NO EVENT WILL MAXLITE BE LIABLE FOR ANY SPECIAL, INCIDENTAL OR CONSEQUENTIAL DAMAGES INCLUDING, WITHOUT LIMITATION, DAMAGES RESULTING FROM LOSS OF USE, PROFITS, BUSINESS OR GOODWILL, LABOR COSTS, REMOVAL OR INSTALLATION COSTS, DECREASE IN THE LIGHT OUTPUT OF THE LAMP, AND/OR DETERIORATION IN THE LAMP'S PERFORMANCE, WHETHER OR NOT MAXLITE HAS BEEN ADVISED OF THE POSSIBILITY THEREOF. UNDER NO CIRCUMSTANCES SHALL MAXLITE'S ENTIRE LIABILITY FOR A DEFECTIVE PRODUCT EXCEED THE PURCHASE PRICE OF THAT PRODUCT. WARRANTY SERVICES PROVIDED UNDER THESE TERMS AND CONDITIONS DO NOT ENSURE THE UNINTERRUPTED OPERATION OF PRODUCTS; MAXLITE SHALL NOT BE LIABLE FOR DAMAGES CAUSED BY ANY DELAYS INVOLVING WARRANTY SERVICE.

This Limited Warranty gives you specific legal rights and you may also have other rights that may vary from state to state. Because some states or jurisdictions do not allow the exclusion or limitation of liability for consequential or incidental damages, this limitation may not apply to you.