

MaxLite® WallMax™ Thin Cut Off



General Safety Information

- To reduce the risk of death, personal injury or property damage from fire, electric shock, falling parts, cuts/abrasions, and other hazards read all warnings and instructions included with and on the fixture box and all fixture labels.
- Before installing, servicing, or performing routine maintenance upon this equipment, follow these general precautions.
- Commercial installation, service and maintenance of luminaires should be performed by a qualified licensed electrician.
- For Residential installation: If you are unsure about the installation or maintenance of the luminaires, consult a qualified licensed electrician and check your local electrical code.
- **DO NOT INSTALL DAMAGED PRODUCT!**
- This fixture is intended to be connected to a properly installed and grounded UL listed junction box.

WARNING:

RISK OF ELECTRICAL SHOCK

- **Turn off electrical power at fuse or circuit breaker box before wiring fixture to the power supply.**
- **Turn off the power when you perform any maintenance.**
- **Verify that supply voltage is correct by comparing it with the luminaire label information.**
- **Make all electrical and grounded connections in accordance with the National Electrical Code and any applicable local code requirements.**
- **All wiring connections should be capped with UL approved wire connectors.**

CAUTION:

RISK OF INJURY

- **Wear gloves and safety glasses at all times when removing luminaire from carton, installing, servicing or performing maintenance.**
- **Avoid direct eye exposure to the light source while it is on.**
- **Account for small parts and destroy packing material, as these may be hazardous to children.**

CAUTION:

RISK OF FIRE

- **Keep combustible and other materials that can burn away from luminaire and lamp/lens**
- **MIN 90°C SUPPLY CONDUCTORS.**

This instruction manual applies to the WP-ADL and WP-ADS series (WallMax™ Thin Cut Off Version)



WP-ADS



WP-ADL



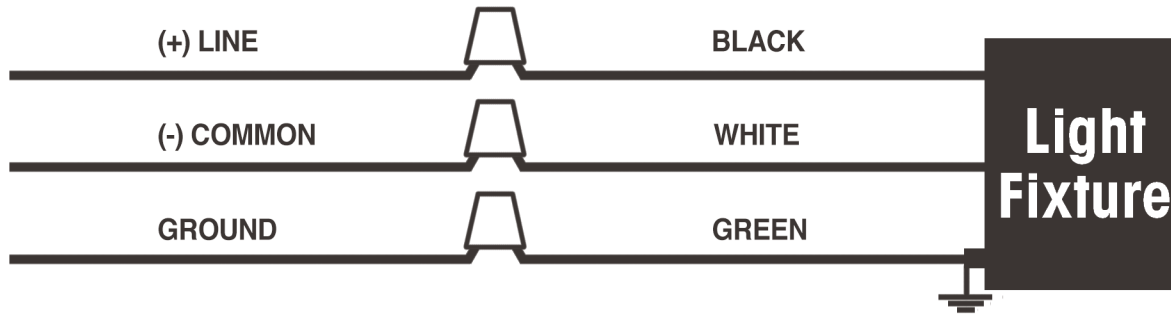
Photos are for illustration purposes only. Your model may vary.



MaxLite® WallMax™ Thin Cut Off

General Wiring Diagram

CAUTION: Turn off electrical power at fuse or circuit breaker box before wiring fixture to the power supply.



Installation & Operation

⚠ WARNING

Disconnect the power by turning off the circuit breaker or by removing the appropriate fuse at the fuse box. Turning the power off using the light switch is not sufficient to prevent electrical shock.

1. **Prepare fixture:** If there is an existing fixture remove it. Loosen both outer side screws and open the housing. Now loosen both inner side screws.
2. **Mount the mounting box and make wiring connections:** Expose the supply wires from the J-box. Mount the mounting box to the J-box with the supplied screws. Gently pull the supply wires through the hole in the back housing. Connect the black supply wire to the black/brown fixture wire. Secure with the supplied wire nuts. Connect the white supply wires to the white/blue fixture wire. Secure with the supplied wire nuts. Connect the green wire to the supply ground wire. Secure with wire nuts. Secure all wires with electrical tape (not supplied). Tuck all wires carefully into the mounting box.

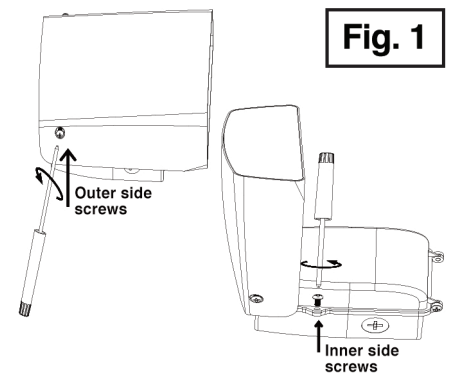


Fig. 1

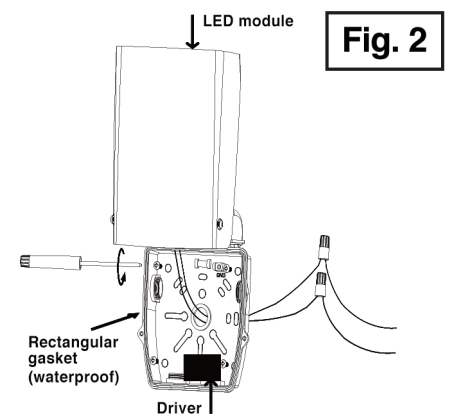


Fig. 2

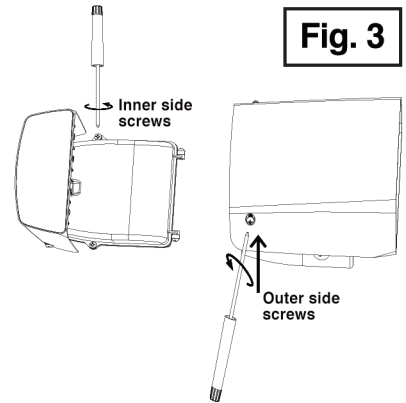


MaxLite® WallMax™ Thin Cut Off

Installation & Operation (Continued)

- 3. Complete the assembly:**
Tighten the inner side screws, close the housing and tighten the outer side screws.

Note: This fixture is wet location rated. In order to ensure that moisture does not enter the outlet box and cause a short circuit, clear caulking should be used to seal the space between the fixture mounting bracket and the wall. Ensure that a space is left at the bottom to allow for the escape of moisture. It is recommended that outdoor silicone sealant be used for that purpose.



- 4. Restore the electricity and check the operation of your new fixture:**

CAUTION

If the fixture is to be removed or replaced, please ensure that the electricity is switched off and that the fitting is cool before touching it.

MaxLite® WallMax™ Thin Cut Off



Warranty Information

MaxLite Inc. warrants its products for a minimum period of **FIVE (5)** years from the date of original purchase from MaxLite or its authorized distributor/dealer (the "Warranty Period"), as follows: If a Product fails to operate during the Warranty Period as a result of defects in materials or workmanship, MaxLite will, at its option, repair it, replace it with the same or like Product.

Please refer to Maxlite's website (at <http://maxlite.com/resources/warranties>) for the complete terms and conditions of our warranty.

Limitation of Liability

THE FOREGOING WARRANTY IS EXCLUSIVE, AND IS THE SOLE REMEDY FOR ANY AND ALL CLAIMS, WHETHER IN CONTRACT, IN TORT OR OTHERWISE ARISING FROM THE FAILURE OF PRODUCT AND IS IN LIEU OF ALL OTHER WARRANTIES, EXPRESS OR IMPLIED, INCLUDING ALL WARRANTIES OF MERCHANTABILITY OR FITNESS FOR A PARTICULAR PURPOSE, WHICH WARRANTIES ARE HEREBY EXPRESSLY DISCLAIMED TO THE EXTENT PERMITTED BY LAW AND, IN ANY EVENT, SHALL BE LIMITED TO THE WARRANTY PERIOD SPECIFIED ABOVE. THE LIABILITY OF MAXLITE SHALL BE LIMITED TO THE TERMS OF THE EXPRESS WARRANTY SET FORTH HEREIN. IN NO EVENT WILL MAXLITE BE LIABLE FOR ANY SPECIAL, INCIDENTAL OR CONSEQUENTIAL DAMAGES INCLUDING, WITHOUT LIMITATION, DAMAGES RESULTING FROM LOSS OF USE, PROFITS, BUSINESS OR GOODWILL, LABOR COSTS, REMOVAL OR INSTALLATION COSTS, DECREASE IN THE LIGHT OUTPUT OF THE LAMP, AND/OR DETERIORATION IN THE LAMP'S PERFORMANCE, WHETHER OR NOT MAXLITE HAS BEEN ADVISED OF THE POSSIBILITY THEREOF. UNDER NO CIRCUMSTANCES SHALL MAXLITE'S ENTIRE LIABILITY FOR A DEFECTIVE PRODUCT EXCEED THE PURCHASE PRICE OF THAT PRODUCT. WARRANTY SERVICES PROVIDED UNDER THESE TERMS AND CONDITIONS DO NOT ENSURE THE UNINTERRUPTED OPERATION OF PRODUCTS; MAXLITE SHALL NOT BE LIABLE FOR DAMAGES CAUSED BY ANY DELAYS INVOLVING WARRANTY SERVICE.

This Limited Warranty gives you specific legal rights and you may also have other rights that may vary from state to state. Because some states or jurisdictions do not allow the exclusion or limitation of liability for consequential or incidental damages, this limitation may not apply to you.